

fienza[®]

Australian Made Vanities



VANITIES • MIRRORS • MIRROR CABINETS • TALLBOYS

DESIGNED & MADE IN *Australia*

Fienza has been an industry leader in manufacturing and supplying bathroom vanities throughout Australia for over 14 years. As an Australian owned company, we pride ourselves on product innovation and exceptional customer service.

Expanding our commitment to Australian made products, Fienza is proud to launch our Australian Made Vanity range. Our local manufacturing facility in Brisbane has been crafting quality cabinetry since 1968. Our wealth of manufacturing and design expertise will bring you a vanity that is beautiful, functional and built to last.

WHAT MAKES OUR PRODUCTS UNIQUE?



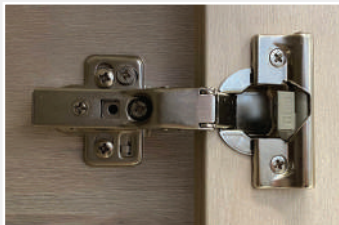
Full Extension, *Confident Close* Damping System

The easy-pull drawers on our Fienza Australian Made cabinets now come with a 'confident close' damping system. This feature combines smooth, fast closing with late deceleration to provide a quiet landing on close. Full extension runners, load rated at 40 kg, allow easy access to the full depth of the drawer.



Eco-Friendly, Moisture Resistant Board

All of our cabinetry is made with moisture resistant board to protect against swelling and moisture damage. Our raw materials are FSC certified and made from eco-friendly, low formaldehyde E0 board.



Soft Close Doors

All door hinges include a soft close mechanism that ensures smooth and silent operation and long term durability for your vanity.



Durable Edging

We only use strong ABS edging on our woodgrain finish cabinets that will ensure maximum durability where you need it most.



Endless Customisation Options

Personalise your vanity by choosing from an extensive range of cabinet finishes, handles, benchtops, and basins. With endless combinations available, you can create a style unique to you.



LIFETIME WARRANTY ON DRAWER RUNNERS

We offer a lifetime warranty on the quality of material, composition and function of the drawer runners on our Australian made cabinetry.



10 YEAR WARRANTY ON CABINETRY BOARD

We offer a 10-year warranty on our Australian made MDF cabinetry materials and a 5-year warranty on all handles and hinges; and, a 1-year warranty on mirrors and mirror doors.

Contents

Kassi Vanities	4-9
Full Depth Vanities	6-8
Ensuite Vanities	9
Cierra Vanities	10-15
Bayview Vanities	16-19
Carmen Vanities	20-31
Door & Drawer Full Depth Vanities	20-24
Door & Drawer Ensuite Vanities	25
All Drawer Full Depth Vanities	26-30
All Drawer Ensuite Vanities	31
Newport Vanities	32-43
Door & Drawer Full Depth Vanities	32-36
Door & Drawer Ensuite Vanities	37
All Drawer Full Depth Vanities	38-42
All Drawer Ensuite Vanities	43
Encanto Vanities	44
Reba Ensuite Vanities	45
Riley Slim Ensuite Vanities	46
Aluca Mirrors	47-50
Mirrors	47
Framed Mirrors	48
Mirror Cabinets & Storage	49-53
Mirror Cabinets	49
Display Shelf Mirror Cabinets	50
Wall Cabinets	51
Combination Cabinets	52
Tallboys	53
Customise Your Vanity	54-77
Cabinet Finishes	54-58
Cabinet Handles	59-62
Vanity Top & Basin Materials Guide	63
Moulded Basin-Tops	64-65
Stone & Timber Top Finishes	66-69
Basins	70-75
Basin Wastes & Overflow Rings	76-77
Order Forms	78-79





Kassi 750 mm Floor Standing Ensuite Depth Vanity Cabinet, Notaio Walnut;
Kaya Point Knobs, Gun Metal; Roman Sand 750 mm Stone Top • \$2095
Bahama Above Counter Solid Surface Basin, Matte White • \$399

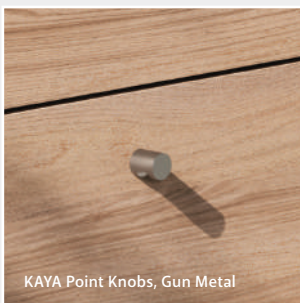


Kassi 1200 mm Wall Hung Vanity Cabinet, Elegant Oak;
 Urbane 192 mm Handles, Matte Black; Crystal Pure 1200 mm Stone Top • \$2480
 Koko 465 Above Counter Ceramic Basin, Gloss White • \$199

Kassi

VANITIES

The Kassi vanity blends the perfect combination of design and function with large drawers and an open bottom shelf for convenient storage. The open design captures an airy feel that is ideal for bathrooms or ensuites to amplify the space.



KAYA Point Knobs, Gun Metal



EDGE Handles, Matte Black

- Select from over 20 woodgrain cabinet finishes (see pages 54-57)
- Horizontal woodgrain direction
- 'Confident close' drawer damping system combines smooth, fast closing with late deceleration to provide a quiet landing on close
- Full extension runners allow easy access to the full depth of the drawer
- Wall-hung or floor standing
- Full depth (suits 465 mm tops) or ensuite depth (suits 365 mm tops)
- Your choice of bevelled finger-pull or handles (included in price; see pages 59-62)
- Made in Australia with FSC certified, E0 board

AVAILABLE WIDTHS



KASSI, FULL DEPTH VANITIES



Bring out your creative side with over 20 cabinet finishes to choose from on pages 54-57.



Choose a slimline finger-pull design, or accent your cabinetry with handles on pages 59-62.



Select from our extensive range of benchtops and basins on pages 63-77.



Order your dream vanity with our easy-to-use order forms on pages 78-79.

FULL DEPTH	Wall Hung		Floor Standing	
600 mm One Drawer (Wall Hung) Two Drawers (Floor Standing)				
VANITY INCLUDES	CODE	RRP	CODE	RRP
Ceramic Basin Top - Dolce	K60W-D	\$1415	K60F-D	\$1785
Poly-Marble Basin Top - Vanessa	K60W-V	\$1419	K60F-V	\$1790
Ceramic Basin Top - Joli Gloss	K60W-J	\$1435	K60F-J	\$1809
Ceramic Basin Top - Joli Matte	K60W-JM	\$1516	K60F-JM	\$1865
Ceramic Basin Top - Rotondo	K60W-R	\$1320	K60F-R	\$1955
Solid Surface or Stone Top*	K60W-S	\$1679	K60F-S	\$2030
Australian Hardwood Top*	K60W-T	\$2175	K60F-T	\$2240

*Basin at additional cost.

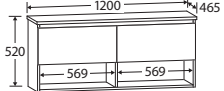
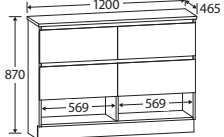
FULL DEPTH	Wall Hung		Floor Standing	
750 mm One Drawer (Wall Hung) Two Drawers (Floor Standing)				
VANITY INCLUDES	CODE	RRP	CODE	RRP
Ceramic Basin Top - Dolce	K75W-D	\$1555	K75F-D	\$1930
Poly-Marble Basin Top - Vanessa	K75W-V	\$1459	K75F-V	\$1949
Ceramic Basin Top - Joli Gloss	K75W-J	\$1579	K75F-J	\$1965
Ceramic Basin Top - Joli Matte	K75W-JM	\$1711	K75F-JM	\$2070
Ceramic Basin Top - Rotondo	K75W-R	\$1745	K75F-R	\$2125
Ceramic Basin Top - Dolce Matte Black	K75W-DB	\$1850	K75F-DB	\$2179
Concrete Basin Top - Satori	K75W-SC	\$2399	K75F-SC	\$2805
Solid Surface or Stone Top*	K75W-S	\$1850	K75F-S	\$2205
Concrete Top*	K75W-P	\$2089	K75F-P	\$2485
Australian Hardwood Top*	K75W-T	\$2409	K75F-T	\$2805

*Basin at additional cost.

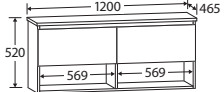
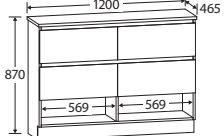
FULL DEPTH	Wall Hung		Floor Standing	
900 mm One Drawer (Wall Hung) Two Drawers (Floor Standing)				
VANITY INCLUDES	CODE	RRP	CODE	RRP
Ceramic Basin Top - Dolce	K90W-D	\$1645	K90F-D	\$2060
Poly-Marble Basin Top - Vanessa	K90W-V	\$1649	K90F-V	\$2065
Ceramic Basin Top - Joli Gloss	K90W-J	\$1670	K90F-J	\$2105
Ceramic Basin Top - Joli Matte	K90W-JM	\$1781	K90F-JM	\$2185
Ceramic Basin Top - Rotondo	K90W-R	\$1815	K90F-R	\$2230
Ceramic Basin Top - Dolce Matte Black	K90W-DB	\$2005	K90F-DB	\$2425
Concrete Basin Top - Satori	K90W-SC	\$2728	K90F-SC	\$3130
Solid Surface or Stone Top*	K90W-S	\$2099	K90F-S	\$2499
Concrete Top*	K90W-P	\$2399	K90F-P	\$2859
Australian Hardwood Top*	K90W-T	\$2728	K90F-T	\$3189

*Basin at additional cost.

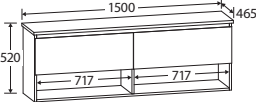
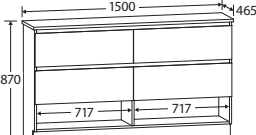
KASSI, FULL DEPTH VANITIES

FULL DEPTH	Wall Hung		Floor Standing	
1200 mm Single Bowl Two Drawers (Wall Hung) Four Drawers (Floor Standing)				
VANITY INCLUDES	CODE	RRP	CODE	RRP
Ceramic Basin Top - Dolce	K120W-D	\$2035	K120F-D	\$2859
Poly-Marble Basin Top - Vanessa	K120W-V	\$2055	K120F-V	\$2695
Ceramic Basin Top - Joli Gloss	K120W-J	\$2140	K120F-J	\$2899
Ceramic Basin Top - Joli Matte	K120W-JM	\$2350	K120F-JM	\$2900
Ceramic Basin Top - Rotondo	K120W-R	\$2224	K120F-R	\$2899
Ceramic Basin Top - Dolce Matte Black	K120W-DB	\$2089	K120F-DB	\$3425
Concrete Basin Top - Satori	K120W-SC	\$3349	K120F-SC	\$3945
Solid Surface or Stone Top*	K120W-S	\$2480	K120F-S	\$3045
Concrete Top*	K120W-P	\$2910	K120F-P	\$3505
Australian Hardwood Top*	K120W-T	\$3349	K120F-T	\$3945

*Basin at additional cost.

1200 mm Double Bowl Two Drawers (Wall Hung) Four Drawers (Floor Standing)				
VANITY INCLUDES	CODE	RRP	CODE	RRP
Ceramic Basin Top - Dolce	K120WD-D	\$3584	K120FD-D	\$3150
Solid Surface or Stone Top*	K120WD-S	\$2205	K120FD-S	\$2535
Concrete Top*	K120WD-P	\$2755	K120FD-P	\$3169
Australian Hardwood Top*	K120WD-T	\$3185	K120FD-T	\$3595

*Basin at additional cost.

1500 mm Single Bowl Two Drawers (Wall Hung) Four Drawers (Floor Standing)				
VANITY INCLUDES	CODE	RRP	CODE	RRP
Ceramic Basin Top - Dolce	K150WS-D	\$3035	K150FS-D	\$3885
Poly-Marble Basin Top - Vanessa	K150WS-V	\$2840	K150FS-V	\$3690
Solid Surface or Stone Top*	K150WS-S	\$3395	K150FS-S	\$3995
Concrete Top*	K150WS-P	\$3849	K150FS-P	\$4485
Australian Hardwood Top*	K150WS-T	\$4275	K150FS-T	\$4910

*Basin at additional cost.

Continued on next page

KASSI, FULL DEPTH VANITIES



Bring out your creative side with over 20 cabinet finishes to choose from on pages 54-57.



Choose a slimline finger-pull design, or accent your cabinetry with handles on pages 59-62.



Select from our extensive range of benchtops and basins on pages 63-77.



Order your dream vanity with our easy-to-use order forms on pages 78-79.

FULL DEPTH	Wall Hung		Floor Standing	
1500 mm Double Bowl Two Drawers (Wall Hung) Four Drawers (Floor Standing)				
VANITY INCLUDES	CODE	RRP	CODE	RRP
Ceramic Basin Top - Dolce	K150WD-D	\$3255	K150FD-D	\$4105
Poly-Marble Basin Top - Vanessa	K150WD-V	\$3060	K150FD-V	\$3910
Solid Surface or Stone Top*	K150WD-S	\$3615	K150FD-S	\$4789
Concrete Top*	K150WD-P	\$4099	K150FD-P	\$5069
Australian Hardwood Top*	K150WD-T	\$4525	K150FD-T	\$5499

*Basin at additional cost.

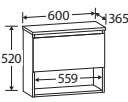
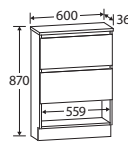
1800 mm Single Bowl Two Drawers (Wall Hung) Four Drawers (Floor Standing)				
VANITY INCLUDES	CODE	RRP	CODE	RRP
Poly-Marble Basin Top - Vanessa	K180WS-V	\$3230	K180FS-V	\$4010
Solid Surface or Stone Top*	K180WS-S	\$3895	K180FS-S	\$4440
Concrete Top*	K180WS-P	\$4629	K180FS-P	\$5189
Australian Hardwood Top*	K180WS-T	\$5165	K180FS-T	\$5724

*Basin at additional cost.

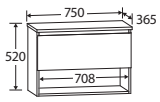
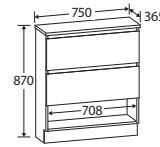
1800 mm Double Bowl Two Drawers (Wall Hung) Four Drawers (Floor Standing)				
VANITY INCLUDES	CODE	RRP	CODE	RRP
Poly-Marble Basin Top - Vanessa	K180WD-V	\$3389	K180FD-V	\$4280
Solid Surface or Stone Top*	K180WD-S	\$4065	K180FD-S	\$4555
Concrete Top*	K180WD-P	\$4825	K180FD-P	\$5325
Australian Hardwood Top*	K180WD-T	\$5360	K180FD-T	\$5859

*Basin at additional cost.

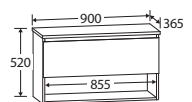
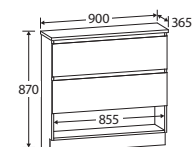
KASSI, ENSUITE DEPTH VANITIES

ENSUITE DEPTH	Wall Hung		Floor Standing	
600 mm One Drawer (Wall Hung) Two Drawers (Floor Standing)				
VANITY INCLUDES	CODE	RRP	CODE	RRP
Ceramic Basin Top - Delgado	KE60W-DT	\$1355	KE60F-DT	\$1700
Solid Surface or Stone Top*	KE60W-S	\$1595	KE60F-S	\$1925

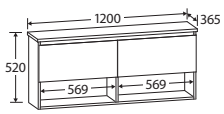
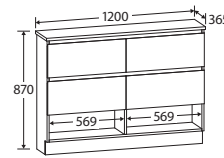
*Basin at additional cost.

750 mm One Drawer (Wall Hung) Two Drawers (Floor Standing)				
VANITY INCLUDES	CODE	RRP	CODE	RRP
Ceramic Basin Top - Delgado	KE75W-DT	\$1199	KE75F-DT	\$1540
Solid Surface or Stone Top*	KE75W-S	\$1755	KE75F-S	\$2095

*Basin at additional cost.

900 mm One Drawer (Wall Hung) Two Drawers (Floor Standing)				
VANITY INCLUDES	CODE	RRP	CODE	RRP
Ceramic Basin Top - Delgado	KE90W-DT	\$1209	KE90F-DT	\$1615
Solid Surface or Stone Top*	KE90W-S	\$1995	KE90F-S	\$2379

*Basin at additional cost.

1200 mm Two Drawers (Wall Hung) Four Drawers (Floor Standing)				
VANITY INCLUDES	CODE	RRP	CODE	RRP
Ceramic Basin Top - Delgado	KE120W-DT	\$1509	KE120F-DT	\$1819
Solid Surface or Stone Top*	KE120W-S	\$2375	KE120F-S	\$2920

*Basin at additional cost.



Cierra 1800 mm Wall Hung Vanity Cabinet, Angora Oak;
 Kaya Point Knobs, Brushed Nickel; Polar Sacco 1800 mm Stone Top • \$4514
 RAK Cloud Above Counter Ceramic Basins, Matte White • \$516 each



Cierra 900 mm Wall Hung Vanity Cabinet Left Drawers, Black Nuance;
 Kaya Point Knobs, Matte White; Crystal Pure 900 mm Stone Top • \$2205
 Reba Mini Above Counter Ceramic Basin, Gloss White • \$199

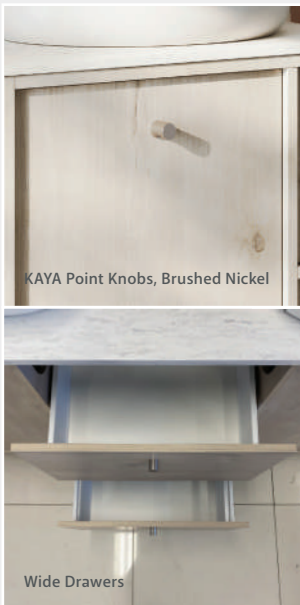


Cierra 1200 mm Wall Hung Vanity Cabinet, Tasmanian Oak; Mila Shaker Knobs, Urban Brass; Roman Sand 1200 mm Stone Top • \$2625
 Forma Above Counter Ceramic Basin, Gloss White • \$249

Cierra

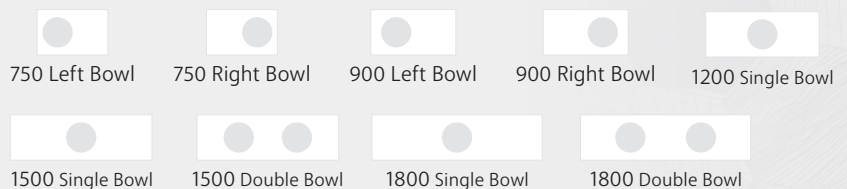
VANITIES

The architectural style of Cierra's inset doors and drawers takes a modern approach to the traditional shaker style cabinetry. The compact design is enhanced with clean lines and rectangular shapes to create a focal point in your bathroom space.



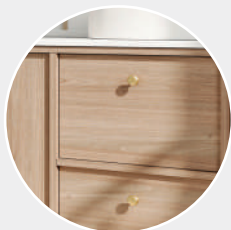
- Select from over 20 woodgrain cabinet finishes (see pages 54-57)
- Vertical woodgrain direction for 750 and 900 mm; mix of horizontal and vertical direction for 1200, 1500 and 1800 mm as standard
- 'Confident close' drawer damping system combines smooth, fast closing with late deceleration to provide a quiet landing on close
- Full extension runners allow easy access to the full depth of the drawer
- Wall-hung or floor standing
- Full depth (suits 465 mm tops)
- Left and right-hand drawers available (dependent on size)
- Your choice of handles (required; included in price; see pages 59-62)
- Made in Australia with FSC certified, E0 board

AVAILABLE WIDTHS

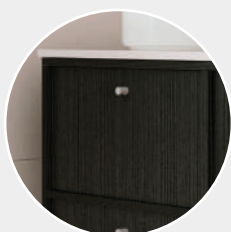


Please note: Undermount basins are not compatible with Cierra cabinets.

CIERRA, FULL DEPTH VANITIES



Bring out your creative side with over 20 cabinet finishes to choose from on pages 54-57



Customise by selecting from our extensive range of handles (required) on pages 59-62.



Select from our extensive range of benchtops and basins on pages 63-77.



Order your dream vanity with our easy-to-use order forms on pages 78-79.

FULL DEPTH	Wall Hung		
750 mm One Door, Two Drawers (Left or Right Drawers)w			
	Left drawer, left bowl model shown		
VANITY INCLUDES	LEFT DRAWER	RIGHT DRAWER	RRP
Concrete Basin Top - Satori	CR75WL-SC	CR75WR-SC	\$2540
Solid Surface or Stone Top*	CR75WL-S	CR75WR-S	\$1995
Concrete Top*	CR75WL-P	CR75WR-P	\$2205
Australian Hardwood Top*	CR75WL-T	CR75WR-T	\$2550

*Basin at additional cost.

FULL DEPTH	Floor Standing		
750 mm One Door, Two Drawers (Left or Right Drawers)			
	Left drawer, left bowl model shown		
VANITY INCLUDES	LEFT DRAWER	RIGHT DRAWER	RRP
Concrete Basin Top - Satori	CR75FL-SC	CR75FR-SC	\$2800
Solid Surface or Stone Top*	CR75FL-S	CR75FR-S	\$2195
Concrete Top*	CR75FL-P	CR75FR-P	\$2435
Australian Hardwood Top*	CR75FL-T	CR75FR-T	\$2780

*Basin at additional cost.

FULL DEPTH	Wall Hung		
900 mm One Door, Two Drawers (Left or Right Drawers)			
	Left drawer, left bowl model shown		
VANITY INCLUDES	LEFT DRAWER	RIGHT DRAWER	RRP
Ceramic Basin Top - Dolce	CR90WL-D	CR90WR-D	\$1730
Concrete Basin Top - Satori	CR90WL-SC	CR90WR-SC	\$2885
Solid Surface or Stone Top*	CR90WL-S	CR90WR-S	\$2205
Concrete Top*	CR90WL-P	CR90WR-P	\$2550
Australian Hardwood Top*	CR90WL-T	CR90WR-T	\$2895

*Basin at additional cost.

FULL DEPTH	Floor Standing		
900 mm One Door, Two Drawers (Left or Right Drawers)			
	Left drawer, left bowl model shown		
VANITY INCLUDES	LEFT DRAWER	RIGHT DRAWER	RRP
Ceramic Basin Top - Dolce	CR90FL-D	CR90FR-D	\$2045
Concrete Basin Top - Satori	CR90FL-SC	CR90FR-SC	\$3200
Solid Surface or Stone Top*	CR90FL-S	CR90FR-S	\$2519
Concrete Top*	CR90FL-P	CR90FR-P	\$2865
Australian Hardwood Top*	CR90FL-T	CR90FR-T	\$3200

CIERRA, FULL DEPTH VANITIES

FULL DEPTH	Wall Hung		Floor Standing	
1200 mm Single Bowl Two Doors, Two Drawers				
VANITY INCLUDES	CODE	RRP	CODE	RRP
Ceramic Basin Top - Dolce	CR120WS-D	\$2205	CR120FS-D	\$2519
Poly-Marble Basin Top - Vanessa	CR120WS-V	\$2225	CR120FS-V	\$2540
Ceramic Basin Top - Joli Gloss	CR120WS-J	\$2255	CR120FS-J	\$2590
Ceramic Basin Top - Joli Matte	CR120WS-JM	\$2499	CR120FS-JM	\$2819
Ceramic Basin Top - Rotondo	CR120WS-R	\$2370	CR120FS-R	\$2709
Ceramic Basin Top - Dolce Matte Black	CR120WS-DB	\$2939	CR120FS-DB	\$3255
Concrete Basin Top - Satori	CR120WS-SC	\$3359	CR120FS-SC	\$3675
Solid Surface or Stone Top*	CR120WS-S	\$2625	CR120FS-S	\$2939
Concrete Top*	CR120WS-P	\$3095	CR120FS-P	\$3430
Australian Hardwood Top*	CR120WS-T	\$3549	CR120FS-T	\$3885

*Basin at additional cost.

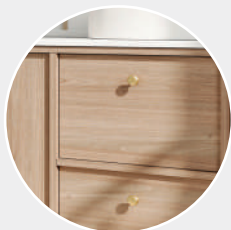
FULL DEPTH	Wall Hung		Floor Standing	
1200 mm Double Bowl Two Doors, Two Drawers				
VANITY INCLUDES	CODE	RRP	CODE	RRP
Ceramic Basin Top - Dolce	CR120WD-D	\$2519	CR120FD-D	\$2834
Solid Surface or Stone Top*	CR120WD-S	\$2729	CR120FD-S	\$3044
Concrete Top*	CR120WD-P	\$3201	CR120FD-P	\$3537
Australian Hardwood Top*	CR120WD-T	\$3653	CR120FD-T	\$3989

*Basin at additional cost.

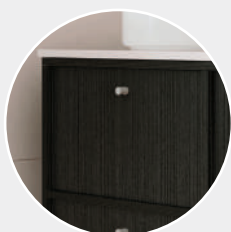
Continued on next page



CIERRA, FULL DEPTH VANITIES



Bring out your creative side with over 20 cabinet finishes to choose from on pages 54-58.



Customise by selecting from our extensive range of handles (required) on pages 59-62.



Select from our extensive range of benchtops and basins on pages 63-77.



Order your dream vanity with our easy-to-use order forms on pages 78-79.

1500 mm Single Bowl Two Doors, Two Drawers				
	VANITY INCLUDES	CODE	RRP	CODE
Ceramic Basin Top - Dolce	CR150WS-D	\$3200	CR150FS-D	\$3645
Poly-Marble Basin Top - Vanessa	CR150WS-V	\$3015	CR150FS-V	\$3455
Solid Surface or Stone Top*	CR150WS-S	\$3569	CR150FS-S	\$3989
Concrete Top*	CR150WS-P	\$4075	CR150FS-P	\$4515
Australian Hardwood Top*	CR150WS-T	\$4515	CR150FS-T	\$4935

*Basin at additional cost.

1500 mm Double Bowl Two Doors, Two Drawers				
	VANITY INCLUDES	CODE	RRP	CODE
Ceramic Basin Top - Dolce	CR150WD-D	\$3516	CR150FD-D	\$3957
Poly-Marble Basin Top - Vanessa	CR150WD-V	\$3117	CR150FD-V	\$3558
Solid Surface or Stone Top*	CR150WD-S	\$3674	CR150FD-S	\$4094
Concrete Top*	CR150WD-P	\$4178	CR150FD-P	\$4619
Australian Hardwood Top*	CR150WD-T	\$4619	CR150FD-T	\$5039

*Basin at additional cost.

1800 mm Single Bowl Two Doors, Two Drawers				
	VANITY INCLUDES	CODE	RRP	CODE
Poly-Marble Basin Top - Vanessa	CR180WS-V	\$3201	CR180FS-V	\$3743
Solid Surface or Stone Top*	CR180WS-S	\$4409	CR180FS-S	\$4881
Concrete Top*	CR180WS-P	\$4913	CR180FS-P	\$5459
Australian Hardwood Top*	CR180WS-T	\$5249	CR180FS-T	\$5721

*Basin at additional cost.

1800 mm Double Bowl Two Doors, Two Drawers				
	VANITY INCLUDES	CODE	RRP	CODE
Poly-Marble Basin Top - Vanessa	CR180WD-V	\$3359	CR180FD-V	\$3955
Solid Surface or Stone Top*	CR180WD-S	\$4514	CR180FD-S	\$4986
Concrete Top*	CR180WD-P	\$5018	CR180FD-P	\$5564
Australian Hardwood Top*	CR180WD-T	\$5354	CR180FD-T	\$5826

*Basin at additional cost.



Cierra 900 mm Wall Hung Vanity Cabinet Left Drawers, Black Nuance;
Kaya Point Knobs, Matte White; Crystal Pure 900 mm Stone Top • \$2205
Reba Mini Above Counter Ceramic Basin, Gloss White • \$199



Bayview 1500 mm Double Bowl Wall Hung Vanity Cabinet, Stone Grey Matt;
 Edge 350 mm Handles, Matte Black; Crystal Pure 1500 mm Stone Top • \$3155
 Sarah Semi Inset Ceramic Basins, Gloss White (including basin hole cuts) • \$199 each



Bayview 600 mm Wall Hung Vanity Cabinet, Ultra White Matt;
 Edge 200 mm Handle, Brushed Nickel; Roman Sand 600 mm Stone Top • \$1765 each
 Reba Above Counter Ceramic Basin, Matte White • \$329 each

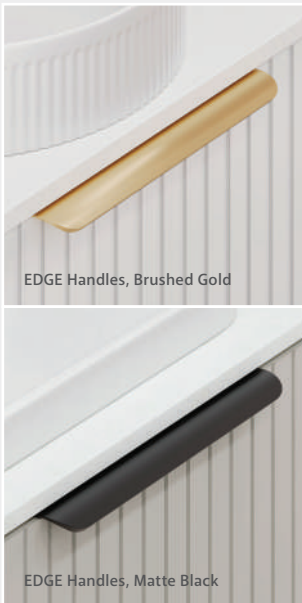


Bayview 900 mm Wall Hung Vanity Cabinet, Ultra White Matt;
 Edge 350 mm Handle, Urban Brass; Crystal Pure 900 mm Stone Top • \$2035
 Eleanor Arch Above Counter Ceramic Basin, Gloss White • \$249

Bayview

VANITIES

Make a statement with our luxe Bayview vanity. With an added twist of vertical v-groove panelling, the visual impact adds definition and design to your bathroom.



EDGE Handles, Brushed Gold

EDGE Handles, Matte Black

- Select from two thermolaminated finishes (see page 58)
- Vertical v-groove panelling
- 'Confident close' drawer damping system combines smooth, fast closing with late deceleration to provide a quiet landing on close
- Full extension runners allow easy access to the full depth of the drawer
- Fresh white interior
- Wall-hung
- EDGE blade-style handles in one of five finishes (required; included in price; see page 61)
- Made in Australia with FSC certified, E0 board

AVAILABLE WIDTHS





BAYVIEW, FULL DEPTH VANITIES

FULL DEPTH	Wall Hung Only	
600 mm One Drawer		
VANITY INCLUDES	CODE	RRP
Ceramic Basin Top - Dolce	B60W-D	\$1335
Poly-Marble Basin Top - Vanessa	B60W-V	\$1555
Ceramic Basin Top - Joli Gloss	B60W-J	\$1359
Ceramic Basin Top - Joli Matte	B60W-JM	\$1445
Ceramic Basin Top - Rotondo	B60W-R	\$1580
Solid Surface or Stone Top*	B60W-S	\$1765
Australian Hardwood Top*	B60W-T	\$2245

*Basin at additional cost.

750 mm One Drawer		
VANITY INCLUDES	CODE	RRP
Ceramic Basin Top - Dolce	B75W-D	\$1445
Poly-Marble Basin Top - Vanessa	B75W-V	\$1620
Ceramic Basin Top - Joli Gloss	B75W-J	\$1465
Ceramic Basin Top - Joli Matte	B75W-JM	\$1605
Ceramic Basin Top - Rotondo	B75W-R	\$1635
Ceramic Basin Top - Dolce Matte Black	B75W-DB	\$1745
Concrete Basin Top - Satori	B75W-SC	\$2299
Solid Surface or Stone Top*	B75W-S	\$1819
Concrete Top*	B75W-P	\$2020
Australian Hardwood Top*	B75W-T	\$2299

*Basin at additional cost.

900 mm One Drawer		
VANITY INCLUDES	CODE	RRP
Ceramic Basin Top - Dolce	B90W-D	\$1499
Poly-Marble Basin Top - Vanessa	B90W-V	\$1720
Ceramic Basin Top - Joli Gloss	B90W-J	\$1659
Ceramic Basin Top - Joli Matte	B90W-JM	\$1769
Ceramic Basin Top - Rotondo	B90W-R	\$1745
Ceramic Basin Top - Dolce Matte Black	B90W-DB	\$1860
Concrete Basin Top - Satori	B90W-SC	\$2569
Solid Surface or Stone Top*	B90W-S	\$2035
Concrete Top*	B90W-P	\$2289
Australian Hardwood Top*	B90W-T	\$2569

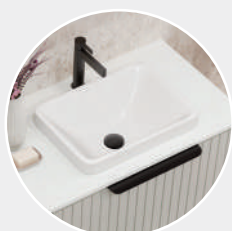
*Basin at additional cost.



Choose from Ultra White Matt or Stone Grey Matt finishes on page 58.



Choose your EDGE blade-style handles (required) in one of 7 finishes on page 61.



Select from our extensive range of benchtops and basins on pages 63-77.

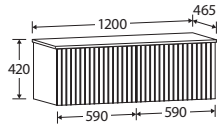


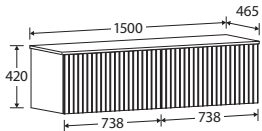
Order your dream vanity with our easy-to-use order forms on pages 78-79.

BAYVIEW, FULL DEPTH VANITIES

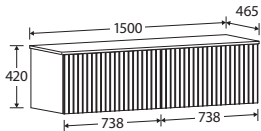
FULL DEPTH	Wall Hung Only	
1200 mm Single Bowl Two Drawers		
VANITY INCLUDES	CODE	RRP
Ceramic Basin Top - Dolce	B120W-D	\$1659
Poly-Marble Basin Top - Vanessa	B120W-V	\$1785
Ceramic Basin Top - Joli Gloss	B120W-J	\$1710
Ceramic Basin Top - Joli Matte	B120W-JM	\$1949
Ceramic Basin Top - Rotondo	B120W-R	\$1849
Ceramic Basin Top - Dolce Matte Black	B120W-DB	\$2460
Concrete Basin Top - Satori	B120W-SC	\$3189
Solid Surface or Stone Top*	B120W-S	\$2399
Concrete Top*	B120W-P	\$2888
Australian Hardwood Top*	B120W-T	\$3189

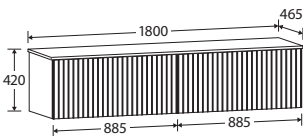
*Basin at additional cost.

FULL DEPTH	Wall Hung Only	
1200 mm Double Bowl Two Drawers		
VANITY INCLUDES	CODE	RRP
Ceramic Basin Top - Dolce	B120WD-D	\$2030
Solid Surface or Stone Top*	B120WD-S	\$2460
Concrete Top*	B120WD-P	\$2930
Australian Hardwood Top*	B120WD-T	\$3260

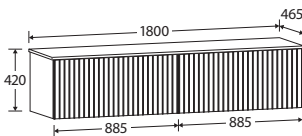
1500 mm Single Bowl Two Drawers		
VANITY INCLUDES	CODE	RRP
Ceramic Basin Top - Dolce	B150WS-D	\$2889
Poly-Marble Basin Top - Vanessa	B150WS-V	\$2695
Solid Surface or Stone Top*	B150WS-S	\$2995
Concrete Top*	B150WS-P	\$3425
Australian Hardwood Top*	B150WS-T	\$3850

*Basin at additional cost.

1500 mm Double Bowl Two Drawers		
VANITY INCLUDES	CODE	RRP
Ceramic Basin Top - Dolce	B150WD-D	\$3100
Poly-Marble Basin Top - Vanessa	B150WD-V	\$2859
Solid Surface or Stone Top*	B150WD-S	\$3155
Concrete Top*	B150WD-P	\$3585
Australian Hardwood Top*	B150WD-T	\$4015

1800 mm Single Bowl Two Drawers		
VANITY INCLUDES	CODE	RRP
Poly-Marble Basin Top - Vanessa	B180WS-V	\$2995
Solid Surface or Stone Top*	B180WS-S	\$3320
Concrete Top*	B180WS-P	\$3849
Australian Hardwood Top*	B180WS-T	\$4385

*Basin at additional cost.

1800 mm Double Bowl Two Drawers		
VANITY INCLUDES	CODE	RRP
Poly-Marble Basin Top - Vanessa	B180WD-V	\$3265
Solid Surface or Stone Top*	B180WD-S	\$3369
Concrete Top*	B180WD-P	\$3960
Australian Hardwood Top*	B180WD-T	\$4495



Carmen Door & Drawer 1500 mm Double Bowl Wall Hung Vanity Cabinet, Prime Oak;
Dolce 1500 mm Double Bowl Ceramic Basin Top, Gloss White • \$2130



Carmen Door & Drawer 900 mm Fingerpull Wall Hung Vanity Cabinet, Antico Oak;
Roman Sand Stone Top • \$1390
Pebble Large Above Counter Basin, Matte Khaki • \$440

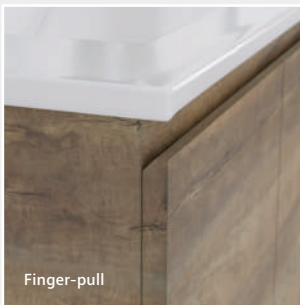


Carmen Door & Drawer 1200 mm Floor Standing Vanity Cabinet, Aged Walnut; Urbane 128 mm Handles, Urban Brass; Rotondo 1200 mm Ceramic Basin Top, Gloss White • \$1250

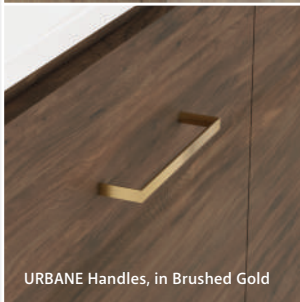
Carmen

DOOR & DRAWER VANITIES

The classic and contemporary look of our Carmen vanity will complement any modern bathroom. The clean lines and functional storage make this vanity the perfect fit for everyday living.




Finger-pull



URBANE Handles, in Brushed Gold

- Select from over 20 cabinet finishes (see pages 54-58)
- Horizontal direction for woodgrain finishes
- 'Confident close' drawer damping system combines smooth, fast closing with late deceleration to provide a quiet landing on close
- Full extension runners allow easy access to the full depth of the drawer
- Fresh white interior
- Wall-hung or floor standing
- Full depth (suits 465 mm tops) or ensuite depth (suits 365 mm tops) sizes
- Left- and right-hand drawers available (dependent on size)
- Your choice of bevelled finger-pull or handles (included in price; see pages 59-62)
- Made in Australia with FSC certified, E0 board

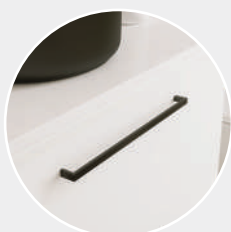
AVAILABLE WIDTHS

				
600	750	900	1200 Single Bowl	1200 Double Bowl (Full depth only)
				
1500 Single Bowl (Full depth only)	1500 Double Bowl (Full depth only)	1800 Single Bowl (Full depth only)	1800 Double Bowl (Full depth only)	

CARMEN, DOOR & DRAWER, FULL DEPTH VANITIES



Bring out your creative side with over 20 cabinet finishes to choose from on pages 54-58.



Choose a slimline finger-pull design, or accent your cabinetry with handles on pages 59-62.



Select from our extensive range of benchtops and basins on pages 63-77.



Order your dream vanity with our easy-to-use order forms on pages 78-79.

FULL DEPTH	Wall Hung		Floor Standing	
600 mm Two Doors				
VANITY INCLUDES	CODE	RRP	CODE	RRP
Ceramic Basin Top - Dolce	C60W-D	\$705	C60F-D	\$749
Poly-Marble Basin Top - Vanessa	C60W-V	\$875	C60F-V	\$915
Ceramic Basin Top - Joli Gloss	C60W-J	\$730	C60F-J	\$770
Ceramic Basin Top - Joli Matte	C60W-JM	\$855	C60F-JM	\$895
Ceramic Basin Top - Rotondo	C60W-R	\$779	C60F-R	\$825
Solid Surface or Stone Top*	C60W-S	\$1175	C60F-S	\$1229
Australian Hardwood Top*	C60W-T	\$1669	C60F-T	\$1765

*Basin at additional cost.

FULL DEPTH	Wall Hung		Floor Standing	
750 mm One Door, Two Drawers (Left or Right Drawers)				
VANITY INCLUDES	CODE	RRP	CODE	RRP
Ceramic Basin Top - Dolce	C75W-D	\$835	C75F-D	\$910
Poly-Marble Basin Top - Vanessa	C75W-V	\$1010	C75F-V	\$1080
Ceramic Basin Top - Joli Gloss	C75W-J	\$855	C75F-J	\$930
Ceramic Basin Top - Joli Matte	C75W-JM	\$1035	C75F-JM	\$1105
Ceramic Basin Top - Rotondo	C75W-R	\$910	C75F-R	\$980
Ceramic Basin Top - Dolce Matte Black	C75W-DB	\$1135	C75F-DB	\$1210
Concrete Basin Top - Satori	C75W-SC	\$1850	C75F-SC	\$1959
Solid Surface or Stone Top*	C75W-S	\$1325	C75F-S	\$1435
Concrete Top*	C75W-P	\$1529	C75F-P	\$1635
Australian Hardwood Top*	C75W-T	\$1850	C75F-T	\$1959

*Basin at additional cost.

FULL DEPTH	Wall Hung		Floor Standing	
900 mm One Door, Two Drawers (Left or Right Drawers)				
VANITY INCLUDES	CODE	RRP	CODE	RRP
Ceramic Basin Top - Dolce	C90W-D	\$910	C90F-D	\$995
Poly-Marble Basin Top - Vanessa	C90W-V	\$1055	C90F-V	\$1155
Ceramic Basin Top - Joli Gloss	C90W-J	\$930	C90F-J	\$1020
Ceramic Basin Top - Joli Matte	C90W-JM	\$1090	C90F-JM	\$1170
Ceramic Basin Top - Rotondo	C90W-R	\$980	C90F-R	\$1069
Ceramic Basin Top - Dolce Matte Black	C90W-DB	\$1275	C90F-DB	\$1359
Concrete Basin Top - Satori	C90W-SC	\$1975	C90F-SC	\$2080
Solid Surface or Stone Top*	C90W-S	\$1390	C90F-S	\$1499
Concrete Top*	C90W-P	\$1652	C90F-P	\$1759
Australian Hardwood Top*	C90W-T	\$1975	C90F-T	\$2080

*Basin at additional cost.

CARMEN, DOOR & DRAWER, FULL DEPTH VANITIES

FULL DEPTH	Wall Hung		Floor Standing	
1200 mm Single Bowl Two Doors, Two Drawers (Left or Right Drawers)				
VANITY INCLUDES	CODE	RRP	CODE	RRP
Ceramic Basin Top - Dolce	C120W-D	\$1099	C120F-D	\$1249
Poly-Marble Basin Top - Vanessa	C120W-V	\$1250	C120F-V	\$1360
Ceramic Basin Top - Joli Gloss	C120W-J	\$1225	C120F-J	\$1229
Ceramic Basin Top - Joli Matte	C120W-JM	\$1399	C120F-JM	\$1499
Ceramic Basin Top - Rotondo	C120W-R	\$1145	C120F-R	\$1250
Ceramic Basin Top - Dolce Matte Black	C120W-DB	\$1435	C120F-DB	\$1540
Concrete Basin Top - Satori	C120W-SC	\$2405	C120F-SC	\$2460
Solid Surface or Stone Top*	C120W-S	\$1659	C120F-S	\$1710
Concrete Top*	C120W-P	\$2075	C120F-P	\$2129
Australian Hardwood Top*	C120W-T	\$2405	C120F-T	\$2460

*Basin at additional cost.

1200 mm Double Bowl Two Doors, Two Drawers (Centre Drawers Only)				
VANITY INCLUDES	CODE	RRP	CODE	RRP
Ceramic Basin Top - Dolce	C120WD-D	\$1499	C120FD-D	\$1529
Solid Surface or Stone Top*	C120WD-S	\$1819	C120FD-S	\$1925
Concrete Top*	C120WD-P	\$2235	C120FD-P	\$2345
Australian Hardwood Top*	C120WD-T	\$2569	C120FD-T	\$2675

*Basin at additional cost.

1500 mm Single Bowl Two Doors, Four Drawers				
VANITY INCLUDES	CODE	RRP	CODE	RRP
Ceramic Basin Top - Dolce	C150WS-D	\$1599	C150FS-D	\$1925
Poly-Marble Basin Top - Vanessa	C150WS-V	\$1520	C150FS-V	\$1839
Solid Surface or Stone Top*	C150WS-S	\$2510	C150FS-S	\$2729
Concrete Top*	C150WS-P	\$2960	C150FS-P	\$3175
Australian Hardwood Top*	C150WS-T	\$3390	C150FS-T	\$3605

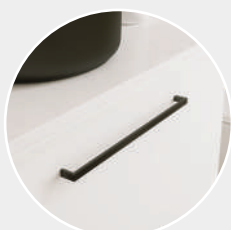
*Basin at additional cost.

Continued on next page

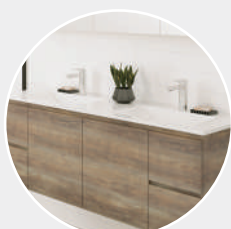
CARMEN, DOOR & DRAWER, FULL DEPTH VANITIES



Bring out your creative side with over 20 cabinet finishes to choose from on pages 54-58.



Choose a slimline finger-pull design, or accent your cabinetry with handles on pages 59-62.



Select from our extensive range of benchtops and basins on pages 63-77.



Order your dream vanity with our easy-to-use order forms on pages 78-79.

FULL DEPTH	Wall Hung		Floor Standing	
1500 mm Double Bowl Two Doors, Four Drawers				
VANITY INCLUDES	CODE	RRP	CODE	RRP
Ceramic Basin Top - Dolce	C150WD-D	\$2130	C150FD-D	\$2359
Poly-Marble Basin Top - Vanessa	C150WD-V	\$2025	C150FD-V	\$2295
Solid Surface or Stone Top*	C150WD-S	\$2569	C150FD-S	\$2788
Concrete Top*	C150WD-P	\$3029	C150FD-P	\$3244
Australian Hardwood Top*	C150WD-T	\$3455	C150FD-T	\$3670

*Basin at additional cost.

1800 mm Single Bowl Two Doors, Four Drawers				
VANITY INCLUDES	CODE	RRP	CODE	RRP
Poly-Marble Basin Top - Vanessa	C180WS-V	\$2245	C180FS-V	\$2355
Solid Surface or Stone Top*	C180WS-S	\$2995	C180FS-S	\$3155
Concrete Top*	C180WS-P	\$3585	C180FS-P	\$3745
Australian Hardwood Top*	C180WS-T	\$4010	C180FS-T	\$4170

*Basin at additional cost.

1800 mm Double Bowl Two Doors, Four Drawers				
VANITY INCLUDES	CODE	RRP	CODE	RRP
Poly-Marble Basin Top - Vanessa	C180WD-V	\$2350	C180FD-V	\$2460
Solid Surface or Stone Top*	C180WD-S	\$3100	C180FD-S	\$3260
Concrete Top*	C180WD-P	\$3689	C180FD-P	\$3850
Australian Hardwood Top*	C180WD-T	\$4120	C180FD-T	\$4279

*Basin at additional cost.

CARMEN, DOOR & DRAWER, ENSUITE DEPTH VANITIES

ENSUITE DEPTH	Wall Hung		Floor Standing	
600 mm Two Doors				
VANITY INCLUDES	CODE	RRP	CODE	RRP
Ceramic Basin Top - Delgado	CE60W-DT	\$640	CE60F-DT	\$695
Solid Surface or Stone Top*	CE60W-S	\$1125	CE60F-S	\$1175

*Basin at additional cost.

750 mm One Door, Two Drawers (Left or Right Drawers)				
VANITY INCLUDES	CODE	RRP	CODE	RRP
Ceramic Basin Top - Delgado	CE75W-DT	\$749	CE75F-DT	\$845
Solid Surface or Stone Top*	CE75W-S	\$1229	CE75F-S	\$1335

*Basin at additional cost.

900 mm One Door, Two Drawers (Left or Right Drawers)				
VANITY INCLUDES	CODE	RRP	CODE	RRP
Ceramic Basin Top - Delgado	CE90W-DT	\$845	CE90F-DT	\$910
Solid Surface or Stone Top*	CE90W-S	\$1335	CE90F-S	\$1390

*Basin at additional cost.

1200 mm Two Doors, Two Drawers (Left or Right Drawers)				
VANITY INCLUDES	CODE	RRP	CODE	RRP
Ceramic Basin Top - Delgado	CE120W-DT	\$1069	CE120F-DT	\$1125
Solid Surface or Stone Top*	CE120W-S	\$1550	CE120F-S	\$1710

*Basin at additional cost.



Carmen All Drawer 1800 mm Double Bowl Floor Standing Vanity Cabinet, Ultra White Matt;
 Dallas 352 mm Handles, Matte Black; Crystal Pure 1800 mm Stone Top • \$3690
 Reba Above Counter Ceramic Basins, Matte Black • \$329 each



Carmen All Drawer 900 mm Wall Hung Vanity Cabinet, Notaio Walnut;
 Dolce Matte Black 900 mm Ceramic Basin Top • \$1809

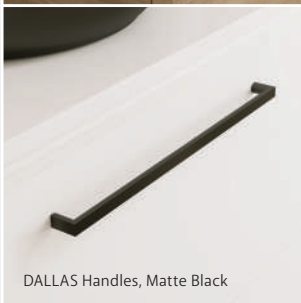
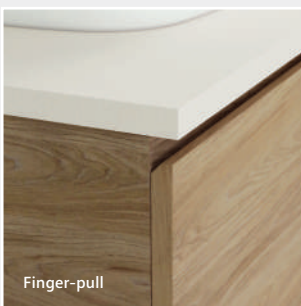


Carmen All Drawer 1200 mm Double Bowl Wall Hung Vanity Cabinet, Prime Oak;
 Roman Sand 1200 mm Stone Top • \$2355
 Koko 370 Above Counter Ceramic Basins, Gloss White • \$199 each

Carmen

ALL DRAWER VANITIES

The streamlined design of our Carmen All Drawer vanity adds a sleek, minimal aesthetic to your bathroom. Large soft-close drawers provide ample storage to keep your bathroom clean and organised. The simple, yet sophisticated design is the perfect canvas for incorporating colours and textures into your bathroom.



- Select from over 20 cabinet finishes (see pages 54-58)
- Horizontal direction for woodgrain finishes
- 'Confident close' drawer damping system combines smooth, fast closing with late deceleration to provide a quiet landing on close
- Full extension runners allow easy access to the full depth of the drawer
- Fresh white interior
- Wall-hung or floor standing
- Full depth (suits 465 mm tops) or ensuite depth (suits 365 mm tops) sizes
- Your choice of bevelled finger-pull or handles (included in price; see pages 59-62)
- Made in Australia with FSC certified, E0 board

AVAILABLE WIDTHS



600



750



900



1200 Single Bowl



1200 Double Bowl
(Full depth only)



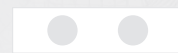
1500 Single Bowl
(Full depth only)



1500 Double Bowl
(Full depth only)



1800 Single Bowl
(Full depth only)

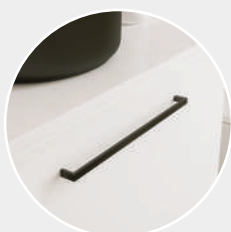


1800 Double Bowl
(Full depth only)

CARMEN, ALL DRAWER, FULL DEPTH VANITIES



Bring out your creative side with over 20 cabinet finishes to choose from on pages 54-58.



Choose a slimline finger-pull design, or accent your cabinetry with handles on pages 59-62.



Select from our extensive range of benchtops and basins on pages 63-77.



Order your dream vanity with our easy-to-use order forms on pages 78-79.

FULL DEPTH	Wall Hung		Floor Standing	
600 mm Two Drawers				
VANITY INCLUDES	CODE	RRP	CODE	RRP
Ceramic Basin Top - Dolce	CD60W-D	\$1285	CD60F-D	\$1390
Poly-Marble Basin Top - Vanessa	CD60W-V	\$1449	CD60F-V	\$1555
Ceramic Basin Top - Joli Gloss	CD60W-J	\$1305	CD60F-J	\$1410
Ceramic Basin Top - Joli Matte	CD60W-JM	\$1395	CD60F-JM	\$1495
Ceramic Basin Top - Rotondo	CD60W-R	\$1359	CD60F-R	\$1465
Solid Surface or Stone Top*	CD60W-S	\$1659	CD60F-S	\$1765
Australian Hardwood Top*	CD60W-T	\$2139	CD60F-T	\$2245

*Basin at additional cost.

FULL DEPTH	Wall Hung		Floor Standing	
750 mm Two Drawers				
VANITY INCLUDES	CODE	RRP	CODE	RRP
Ceramic Basin Top - Dolce	CD75W-D	\$1390	CD75F-D	\$1499
Poly-Marble Basin Top - Vanessa	CD75W-V	\$1569	CD75F-V	\$1675
Ceramic Basin Top - Joli Gloss	CD75W-J	\$1419	CD75F-J	\$1525
Ceramic Basin Top - Joli Matte	CD75W-JM	\$1560	CD75F-JM	\$1660
Ceramic Basin Top - Rotondo	CD75W-R	\$1465	CD75F-R	\$1570
Ceramic Basin Top - Dolce Matte Black	CD75W-DB	\$1690	CD75F-DB	\$1745
Concrete Basin Top - Satori	CD75W-SC	\$2235	CD75F-SC	\$2345
Solid Surface or Stone Top*	CD75W-S	\$1710	CD75F-S	\$1819
Concrete Top*	CD75W-P	\$1915	CD75F-P	\$2020
Australian Hardwood Top*	CD75W-T	\$2235	CD75F-T	\$2345

*Basin at additional cost.

FULL DEPTH	Wall Hung		Floor Standing	
900 mm Two Drawers				
VANITY INCLUDES	CODE	RRP	CODE	RRP
Ceramic Basin Top - Dolce	CD90W-D	\$1445	CD90F-D	\$1550
Poly-Marble Basin Top - Vanessa	CD90W-V	\$1589	CD90F-V	\$1695
Ceramic Basin Top - Joli Gloss	CD90W-J	\$1470	CD90F-J	\$1595
Ceramic Basin Top - Joli Matte	CD90W-JM	\$1595	CD90F-JM	\$1709
Ceramic Basin Top - Rotondo	CD90W-R	\$1519	CD90F-R	\$1625
Ceramic Basin Top - Dolce Matte Black	CD90W-DB	\$1809	CD90F-DB	\$1915
Concrete Basin Top - Satori	CD90W-SC	\$2515	CD90F-SC	\$2620
Solid Surface or Stone Top*	CD90W-S	\$1925	CD90F-S	\$2030
Concrete Top*	CD90W-P	\$2180	CD90F-P	\$2289
Australian Hardwood Top*	CD90W-T	\$2515	CD90F-T	\$2620

*Basin at additional cost.

CARMEN, ALL DRAWER, FULL DEPTH VANITIES

FULL DEPTH	Wall Hung		Floor Standing	
1200 mm Single Bowl Two Drawers				
VANITY INCLUDES	CODE	RRP	CODE	RRP
Ceramic Basin Top - Dolce	CD120W-D	\$1605	CD120F-D	\$1710
Poly-Marble Basin Top - Vanessa	CD120W-V	\$1735	CD120F-V	\$1785
Ceramic Basin Top - Joli Gloss	CD120W-J	\$1659	CD120F-J	\$1765
Ceramic Basin Top - Joli Matte	CD120W-JM	\$1899	CD120F-JM	\$1999
Ceramic Basin Top - Rotondo	CD120W-R	\$1679	CD120F-R	\$1785
Ceramic Basin Top - Dolce Matte Black	CD120W-DB	\$2355	CD120F-DB	\$2460
Concrete Basin Top - Satori	CD120W-SC	\$3100	CD120F-SC	\$3209
Solid Surface or Stone Top*	CD120W-S	\$2245	CD120F-S	\$2355
Concrete Top*	CD120W-P	\$2665	CD120F-P	\$2770
Australian Hardwood Top*	CD120W-T	\$3100	CD120F-T	\$3209

*Basin at additional cost.

1200 mm Double Bowl Two Drawers				
VANITY INCLUDES	CODE	RRP	CODE	RRP
Ceramic Basin Top - Dolce	CD120WD-D	\$2035	CD120FD-D	\$2139
Solid Surface or Stone Top*	CD120WD-S	\$2355	CD120FD-S	\$2460
Concrete Top*	CD120WD-P	\$2780	CD120FD-P	\$2889
Australian Hardwood Top*	CD120WD-T	\$3209	CD120FD-T	\$3315

*Basin at additional cost.

1500 mm Single Bowl Four Drawers				
VANITY INCLUDES	CODE	RRP	CODE	RRP
Ceramic Basin Top - Dolce	CD150WS-D	\$2510	CD150FS-D	\$2675
Poly-Marble Basin Top - Vanessa	CD150WS-V	\$2749	CD150FS-V	\$2909
Solid Surface or Stone Top*	CD150WS-S	\$3100	CD150FS-S	\$3209
Concrete Top*	CD150WS-P	\$3530	CD150FS-P	\$3639
Australian Hardwood Top*	CD150WS-T	\$3959	CD150FS-T	\$4065

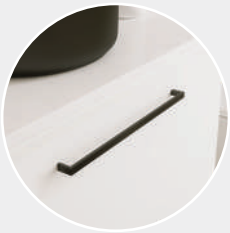
*Basin at additional cost.

Continued on next page

CARMEN, ALL DRAWER, FULL DEPTH VANITIES



Bring out your creative side with over 20 cabinet finishes to choose from on pages 54-58.



Choose a slimline finger-pull design, or accent your cabinetry with handles on pages 59-62.



Select from our extensive range of benchtops and basins on pages 63-77.



Order your dream vanity with our easy-to-use order forms on pages 78-79.

FULL DEPTH	Wall Hung		Floor Standing	
1500 mm Double Bowl Four Drawers				
VANITY INCLUDES	CODE	RRP	CODE	RRP
Ceramic Basin Top - Dolce	CD150WD-D	\$2889	CD150FD-D	\$3209
Poly-Marble Basin Top - Vanessa	CD150WD-V	\$2859	CD150FD-V	\$3019
Solid Surface or Stone Top*	CD150WD-S	\$3205	CD150FD-S	\$3315
Concrete Top*	CD150WD-P	\$3635	CD150FD-P	\$3745
Australian Hardwood Top*	CD150WD-T	\$4069	CD150FD-T	\$4175

*Basin at additional cost.

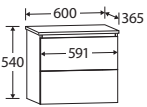
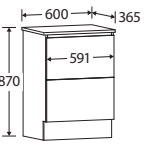
1800 mm Single Bowl Four Drawers				
VANITY INCLUDES	CODE	RRP	CODE	RRP
Poly-Marble Basin Top - Vanessa	CD180WS-V	\$3100	CD180FS-V	\$3315
Solid Surface or Stone Top*	CD180WS-S	\$3475	CD180FS-S	\$3585
Concrete Top*	CD180WS-P	\$4065	CD180FS-P	\$4269
Australian Hardwood Top*	CD180WS-T	\$4599	CD180FS-T	\$4805

*Basin at additional cost.

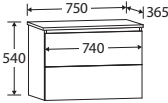
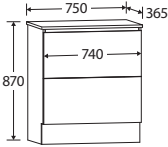
1800 mm Double Bowl Four Drawers				
VANITY INCLUDES	CODE	RRP	CODE	RRP
Poly-Marble Basin Top - Vanessa	CD180WD-V	\$3265	CD180FD-V	\$3475
Solid Surface or Stone Top*	CD180WD-S	\$3585	CD180FD-S	\$3690
Concrete Top*	CD180WD-P	\$4170	CD180FD-P	\$4375
Australian Hardwood Top*	CD180WD-T	\$4705	CD180FD-T	\$4915

*Basin at additional cost.

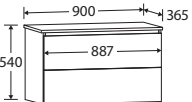
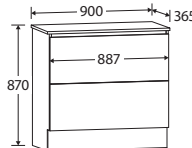
CARMEN, ALL DRAWER, ENSUITE DEPTH VANITIES

ENSUITE DEPTH	Wall Hung		Floor Standing	
600 mm Two Drawers				
VANITY INCLUDES	CODE	RRP	CODE	RRP
Ceramic Basin Top - Delgado	CED60W-DT	\$1175	CED60F-DT	\$1335
Solid Surface or Stone Top*	CED60W-S	\$1659	CED60F-S	\$1765

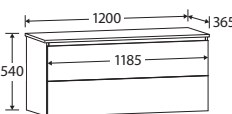
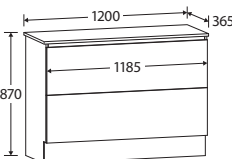
*Basin at additional cost.

750 mm Two Drawers				
VANITY INCLUDES	CODE	RRP	CODE	RRP
Ceramic Basin Top - Delgado	CED75W-DT	\$1285	CED75F-DT	\$1445
Solid Surface or Stone Top*	CED75W-S	\$1710	CED75F-S	\$1819

*Basin at additional cost.

900 mm Two Drawers				
VANITY INCLUDES	CODE	RRP	CODE	RRP
Ceramic Basin Top - Delgado	CED90W-DT	\$1335	CED90F-DT	\$1499
Solid Surface or Stone Top*	CED90W-S	\$1925	CED90F-S	\$2030

*Basin at additional cost.

1200 mm Two Drawers				
VANITY INCLUDES	CODE	RRP	CODE	RRP
Ceramic Basin Top - Delgado	CED120W-DT	\$1605	CED120F-DT	\$1710
Solid Surface or Stone Top*	CED120W-S	\$2245	CED120F-S	\$2355

*Basin at additional cost.



Newport Door & Drawer 1200 mm Floor Standing Vanity Cabinet, Stone Grey Matt;
Hampton Pull Handles, Chrome; Bianco Marble 1200 mm Stone Top • \$2139
Reba Semi Inset Ceramic Basin, Gloss White (including basin hole cut) • \$339



Newport Door & Drawer 900 mm Wall Hung Vanity Cabinet, Black Matt;
Kaya Point Knobs, Brushed Nickel; Crystal Pure 900 mm Stone Top • \$1919
Forma Above Counter Ceramic Basin, Gloss White • \$249



Newport Door & Drawer 1800 mm Double Bowl Wall Hung Vanity Cabinet, Classic White Matt, Kaya Handles, Matte Black; Nero Vena 1800 mm Stone Top • \$3639
Aluca Above Counter Ceramic Basins, Matte White • \$399 each

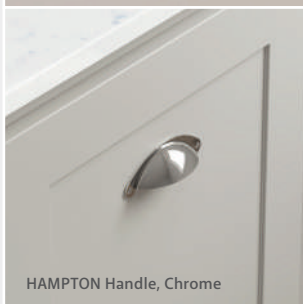
Newport

DOOR & DRAWER VANITIES

Tap into a classical style with our Newport vanities. You can create an authentic look by incorporating traditional elements that are both modern and timeless. The opulent design elevates the room, for a place of rest and relaxation. The optimised storage space keeps your counter top clear for styled arrangements.



KAYA Point Knobs, Matte Black



HAMPTON Handle, Chrome

- Select from three thermolaminated finishes (see page 58)
- Shaker-style door and drawer fronts
- 'Confident close' drawer damping system combines smooth, fast closing with late deceleration to provide a quiet landing on close
- Full extension runners allow easy access to the full depth of the drawer
- Fresh white interior
- Wall-hung or floor standing
- Full depth (suits 465 mm tops) or ensuite depth (suits 365 mm tops) sizes
- Left- and right-hand drawers available (dependent on size)
- Your choice of handles (required; included in price; see pages 59-60)
- Made in Australia with FSC certified, E0 board

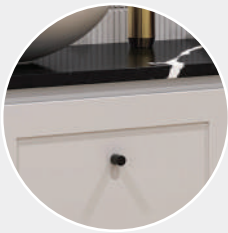
AVAILABLE WIDTHS



NEWPORT, DOOR & DRAWER, FULL DEPTH VANITIES



Choose from 3 different, sleek and modern, matt cabinet finishes on page 58.



Customise by selecting from our extensive range of handles (required) on pages 59-60.



Select from our extensive range of benchtops and basins on pages 63-77.



Order your dream vanity with our easy-to-use order forms on pages 78-79.

FULL DEPTH	Wall Hung		Floor Standing	
600 mm Two Doors				
VANITY INCLUDES	CODE	RRP	CODE	RRP
Ceramic Basin Top - Dolce	N60W-D	\$1015	N60F-D	\$1069
Poly-Marble Basin Top - Vanessa	N60W-V	\$1180	N60F-V	\$1235
Ceramic Basin Top - Joli Gloss	N60W-J	\$1039	N60F-J	\$1095
Ceramic Basin Top - Joli Matte	N60W-JM	\$1145	N60F-JM	\$1195
Ceramic Basin Top - Rotondo	N60W-R	\$1089	N60F-R	\$1145
Solid Surface or Stone Top*	N60W-S	\$1390	N60F-S	\$1445
Australian Hardwood Top*	N60W-T	\$1925	N60F-T	\$1979

*Basin at additional cost.

FULL DEPTH	Wall Hung		Floor Standing	
750 mm One Door, Two Drawers (Left or Right Drawers)				
VANITY INCLUDES	CODE	RRP	CODE	RRP
Ceramic Basin Top - Dolce	N75W-D	\$1229	N75F-D	\$1335
Poly-Marble Basin Top - Vanessa	N75W-V	\$1299	N75F-V	\$1355
Ceramic Basin Top - Joli Gloss	N75W-J	\$1259	N75F-J	\$1365
Ceramic Basin Top - Joli Matte	N75W-JM	\$1410	N75F-JM	\$1510
Ceramic Basin Top - Rotondo	N75W-R	\$1305	N75F-R	\$1410
Ceramic Basin Top - Dolce Matte Black	N75W-DB	\$1529	N75F-DB	\$1635
Concrete Basin Top - Satori	N75W-SC	\$2185	N75F-SC	\$2289
Solid Surface or Stone Top*	N75W-S	\$1659	N75F-S	\$1765
Concrete Top*	N75W-P	\$1860	N75F-P	\$1969
Australian Hardwood Top*	N75W-T	\$2185	N75F-T	\$2289

*Basin at additional cost.

FULL DEPTH	Wall Hung		Floor Standing	
900 mm One Door, Two Drawers (Left or Right Drawers)				
VANITY INCLUDES	CODE	RRP	CODE	RRP
Ceramic Basin Top - Dolce	N90W-D	\$1285	N90F-D	\$1335
Poly-Marble Basin Top - Vanessa	N90W-V	\$1395	N90F-V	\$1449
Ceramic Basin Top - Joli Gloss	N90W-J	\$1325	N90F-J	\$1379
Ceramic Basin Top - Joli Matte	N90W-JM	\$1459	N90F-JM	\$1509
Ceramic Basin Top - Rotondo	N90W-R	\$1359	N90F-R	\$1410
Ceramic Basin Top - Dolce Matte Black	N90W-DB	\$1649	N90F-DB	\$1700
Concrete Basin Top - Satori	N90W-SC	\$2405	N90F-SC	\$2456
Solid Surface or Stone Top*	N90W-S	\$1919	N90F-S	\$1870
Concrete Top*	N90W-P	\$2085	N90F-P	\$2139
Australian Hardwood Top*	N90W-T	\$2405	N90F-T	\$2460

*Basin at additional cost.

NEWPORT, DOOR & DRAWER, FULL DEPTH VANITIES

FULL DEPTH	Wall Hung		Floor Standing	
1200 mm Single Bowl Two Doors, Two Drawers (Left or Right Drawers)				
VANITY INCLUDES	CODE	RRP	CODE	RRP
Ceramic Basin Top - Dolce	N120W-D	\$1445	N120F-D	\$1550
Poly-Marble Basin Top - Vanessa	N120W-V	\$1575	N120F-V	\$1679
Ceramic Basin Top - Joli Gloss	N120W-J	\$1499	N120F-J	\$1605
Ceramic Basin Top - Joli Matte	N120W-JM	\$1749	N120F-JM	\$1849
Ceramic Basin Top - Rotondo	N120W-R	\$1519	N120F-R	\$1625
Ceramic Basin Top - Dolce Matte Black	N120W-DB	\$2195	N120F-DB	\$2299
Concrete Basin Top - Satori	N120W-SC	\$2770	N120F-SC	\$2879
Solid Surface or Stone Top*	N120W-S	\$2035	N120F-S	\$2139
Concrete Top*	N120W-P	\$2449	N120F-P	\$2555
Australian Hardwood Top*	N120W-T	\$2770	N120F-T	\$2879

*Basin at additional cost.

1200 mm Double Bowl Two Doors, Two Drawers (Centre Drawers Only)				
VANITY INCLUDES	CODE	RRP	CODE	RRP
Ceramic Basin Top - Dolce	N120WD-D	\$1765	N120FD-D	\$1870
Solid Surface or Stone Top*	N120WD-S	\$2665	N120FD-S	\$2770
Concrete Top*	N120WD-P	\$2869	N120FD-P	\$2975
Australian Hardwood Top*	N120WD-T	\$3189	N120FD-T	\$3294

*Basin at additional cost.

1500 mm Single Bowl Two Doors, Four Drawers				
VANITY INCLUDES	CODE	RRP	CODE	RRP
Ceramic Basin Top - Dolce	N150WS-D	\$1979	N150FS-D	\$2139
Poly-Marble Basin Top - Vanessa	N150WS-V	\$1839	N150FS-V	\$2055
Solid Surface or Stone Top*	N150WS-S	\$3105	N150FS-S	\$3209
Concrete Top*	N150WS-P	\$3550	N150FS-P	\$3659
Australian Hardwood Top*	N150WS-T	\$3979	N150FS-T	\$4085

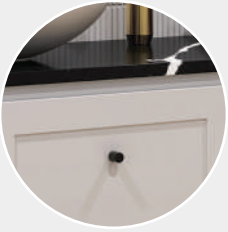
*Basin at additional cost.

Continued on next page

NEWPORT, DOOR & DRAWER, FULL DEPTH VANITIES



Choose from 3 different, sleek and modern, matt cabinet finishes on page 58.



Customise by selecting from our extensive range of handles (required) on pages 59-60.



Select from our extensive range of benchtops and basins on pages 63-77.



Order your dream vanity with our easy-to-use order forms on pages 78-79.

FULL DEPTH	Wall Hung		Floor Standing	
<p>1500 mm Double Bowl Two Doors, Four Drawers</p>				
VANITY INCLUDES	CODE	RRP	CODE	RRP
Ceramic Basin Top - Dolce	N150WD-D	\$2569	N150FD-D	\$2689
Poly-Marble Basin Top - Vanessa	N150WD-V	\$2375	N150FD-V	\$2695
Solid Surface or Stone Top*	N150WD-S	\$3309	N150FD-S	\$3425
Concrete Top*	N150WD-P	\$3744	N150FD-P	\$3850
Australian Hardwood Top*	N150WD-T	\$4175	N150FD-T	\$4279

*Basin at additional cost.

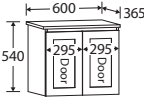
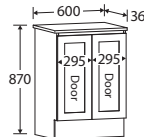
<p>1800 mm Single Bowl Two Doors, Four Drawers</p>				
VANITY INCLUDES	CODE	RRP	CODE	RRP
Poly-Marble Basin Top - Vanessa	N180WS-V	\$2460	N180FS-V	\$2569
Solid Surface or Stone Top*	N180WS-S	\$3425	N180FS-S	\$3585
Concrete Top*	N180WS-P	\$4010	N180FS-P	\$4175
Australian Hardwood Top*	N180WS-T	\$4545	N180FS-T	\$4709

*Basin at additional cost.

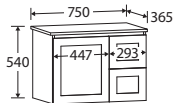
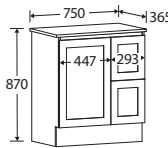
<p>1800 mm Double Bowl Two Doors, Four Drawers</p>				
VANITY INCLUDES	CODE	RRP	CODE	RRP
Poly-Marble Basin Top - Vanessa	N180WD-V	\$2759	N180FD-V	\$2889
Solid Surface or Stone Top*	N180WD-S	\$3639	N180FD-S	\$3799
Concrete Top*	N180WD-P	\$4225	N180FD-P	\$4385
Australian Hardwood Top*	N180WD-T	\$4760	N180FD-T	\$4920

*Basin at additional cost.

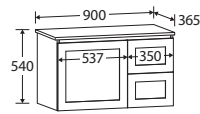
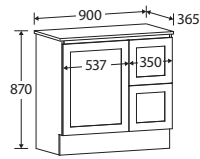
NEWPORT, DOOR & DRAWER, ENSUITE DEPTH VANITIES

ENSUITE DEPTH	Wall Hung		Floor Standing	
600 mm Two Doors				
VANITY INCLUDES	CODE	RRP	CODE	RRP
Ceramic Basin Top - Delgado	NE60W-DT	\$1015	NE60F-DT	\$1069
Solid Surface or Stone Top*	NE60W-S	\$1335	NE60F-S	\$1390

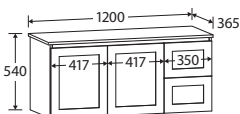
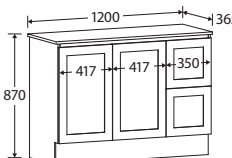
*Basin at additional cost.

750 mm One Door, Two Drawers (Left or Right Drawers)				
VANITY INCLUDES	CODE	RRP	CODE	RRP
Ceramic Basin Top - Delgado	NE75W-DT	\$1229	NE75F-DT	\$1335
Solid Surface or Stone Top*	NE75W-S	\$1605	NE75F-S	\$1710

*Basin at additional cost.

900 mm One Door, Two Drawers (Left or Right Drawers)				
VANITY INCLUDES	CODE	RRP	CODE	RRP
Ceramic Basin Top - Delgado	NE90W-DT	\$1285	NE90F-DT	\$1335
Solid Surface or Stone Top*	NE90W-S	\$1765	NE90F-S	\$1819

*Basin at additional cost.

1200 mm Two Doors, Two Drawers (Left or Right Drawers)				
VANITY INCLUDES	CODE	RRP	CODE	RRP
Ceramic Basin Top - Delgado	NE120W-DT	\$1550	NE120F-DT	\$1765
Solid Surface or Stone Top*	NE120W-S	\$1979	NE120F-S	\$2035

*Basin at additional cost.



Newport All Drawer 900 mm Floor Standing Vanity Cabinet, Classic White Matt;
 Hampton Pull Handles, Brushed Nickel; Crystal Pure 900 mm Stone Top • \$2405
 Classique 420 Above Counter Solid Surface Basin, Matte White • \$399



Newport All Drawer 1200 mm Double Bowl Floor Standing Vanity Cabinet, Stone Grey Matt;
 Urbane 320 mm Handles, Matte Black; Dolce 1200 mm Double Bowl Ceramic Basin Top, Gloss White • \$2405



Newport All Drawer 1800 mm Double Bowl Wall Hung Vanity Cabinet, Black Matt; Urbane 320 mm Handles, Urban Brass; Crystal Pure 1800 mm Stone Top • \$4010
Reba Above Counter Ceramic Basins, Matte White • \$329 each

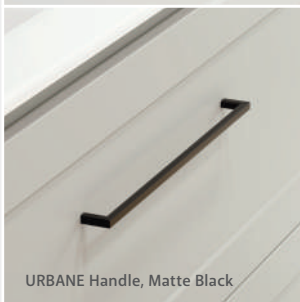
Newport

ALL DRAWER VANITIES

Add an extra touch of luxury with our elegant and chic Newport All Drawer vanity. The stunning shaker profile will create a focal point in your bathroom and become a beautiful accent piece.



HAMPTON Handle, Brushed Nickel



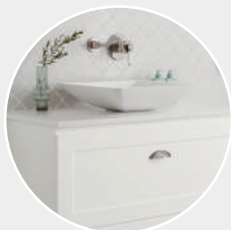
URBANE Handle, Matte Black

- Select from three thermolaminated finishes (see page 58)
- Shaker-style drawer fronts
- 'Confident close' drawer damping system combines smooth, fast closing with late deceleration to provide a quiet landing on close
- Full extension runners allow easy access to the full depth of the drawer
- Fresh white interior
- Wall-hung or floor standing
- Full depth (suits 465 mm tops) or ensuite depth (suits 365 mm tops) sizes
- Your choice of handles (required; included in price; see pages 59-60)
- Made in Australia with FSC certified, E0 board

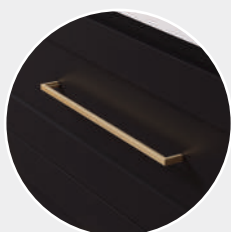
AVAILABLE WIDTHS



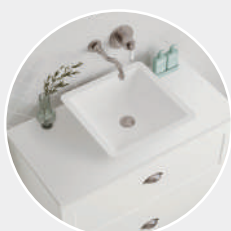
NEWPORT, ALL DRAWER, FULL DEPTH VANITIES



Choose from 3 different, sleek and modern, matt cabinet finishes on page 58.



Customise by selecting from our extensive range of handles (required) on pages 59-60.



Select from our extensive range of benchtops and basins on pages 63-77.



Order your dream vanity with our easy-to-use order forms on pages 78-79.

FULL DEPTH	Wall Hung		Floor Standing	
600 mm Two Drawers				
VANITY INCLUDES	CODE	RRP	CODE	RRP
Ceramic Basin Top - Dolce	ND60W-D	\$1550	ND60F-D	\$1710
Poly-Marble Basin Top - Vanessa	ND60W-V	\$1770	ND60F-V	\$1930
Ceramic Basin Top - Joli Gloss	ND60W-J	\$1575	ND60F-J	\$1735
Ceramic Basin Top - Joli Matte	ND60W-JM	\$1645	ND60F-JM	\$1795
Ceramic Basin Top - Rotondo	ND60W-R	\$1625	ND60F-R	\$1785
Solid Surface or Stone Top*	ND60W-S	\$1979	ND60F-S	\$2035
Australian Hardwood Top*	ND60W-T	\$2460	ND60F-T	\$2545

*Basin at additional cost.

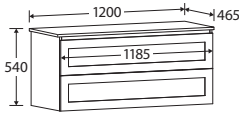
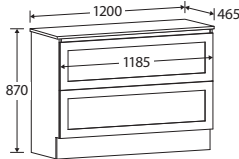
FULL DEPTH	Wall Hung		Floor Standing	
750 mm Two Drawers				
VANITY INCLUDES	CODE	RRP	CODE	RRP
Ceramic Basin Top - Dolce	ND75W-D	\$1659	ND75F-D	\$1819
Poly-Marble Basin Top - Vanessa	ND75W-V	\$1835	ND75F-V	\$1995
Ceramic Basin Top - Joli Gloss	ND75W-J	\$1579	ND75F-J	\$1739
Ceramic Basin Top - Joli Matte	ND75W-JM	\$1710	ND75F-JM	\$1860
Ceramic Basin Top - Rotondo	ND75W-R	\$1730	ND75F-R	\$1895
Ceramic Basin Top - Dolce Matte Black	ND75W-DB	\$1850	ND75F-DB	\$2010
Concrete Basin Top - Satori	ND75W-SC	\$2555	ND75F-SC	\$2665
Solid Surface or Stone Top*	ND75W-S	\$2035	ND75F-S	\$2139
Concrete Top*	ND75W-P	\$2235	ND75F-P	\$2345
Australian Hardwood Top*	ND75W-T	\$2555	ND75F-T	\$2665

*Basin at additional cost.

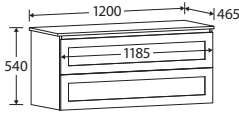
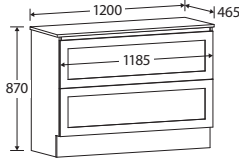
FULL DEPTH	Wall Hung		Floor Standing	
900 mm Two Drawers				
VANITY INCLUDES	CODE	RRP	CODE	RRP
Ceramic Basin Top - Dolce	ND90W-D	\$1710	ND90F-D	\$1819
Poly-Marble Basin Top - Vanessa	ND90W-V	\$1930	ND90F-V	\$2039
Ceramic Basin Top - Joli Gloss	ND90W-J	\$1870	ND90F-J	\$1979
Ceramic Basin Top - Joli Matte	ND90W-JM	\$1969	ND90F-JM	\$2069
Ceramic Basin Top - Rotondo	ND90W-R	\$1785	ND90F-R	\$1895
Ceramic Basin Top - Dolce Matte Black	ND90W-DB	\$2075	ND90F-DB	\$2185
Concrete Basin Top - Satori	ND90W-SC	\$2825	ND90F-SC	\$2995
Solid Surface or Stone Top*	ND90W-S	\$2245	ND90F-S	\$2405
Concrete Top*	ND90W-P	\$2505	ND90F-P	\$2675
Australian Hardwood Top*	ND90W-T	\$2825	ND90F-T	\$2995

*Basin at additional cost.

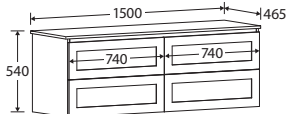
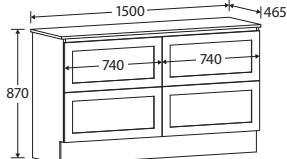
NEWPORT, ALL DRAWER, FULL DEPTH VANITIES

FULL DEPTH	Wall Hung		Floor Standing	
1200 mm Single Bowl Two Drawers				
VANITY INCLUDES	CODE	RRP	CODE	RRP
Ceramic Basin Top - Dolce	ND120W-D	\$1925	ND120F-D	\$2035
Poly-Marble Basin Top - Vanessa	ND120W-V	\$2109	ND120F-V	\$2375
Ceramic Basin Top - Joli Gloss	ND120W-J	\$1979	ND120F-J	\$2085
Ceramic Basin Top - Joli Matte	ND120W-JM	\$2199	ND120F-JM	\$2299
Ceramic Basin Top - Rotondo	ND120W-R	\$1999	ND120F-R	\$2105
Ceramic Basin Top - Dolce Matte Black	ND120W-DB	\$2675	ND120F-DB	\$2780
Concrete Basin Top - Satori	ND120W-SC	\$3425	ND120F-SC	\$3530
Solid Surface or Stone Top*	ND120W-S	\$2675	ND120F-S	\$2780
Concrete Top*	ND120W-P	\$3099	ND120F-P	\$3209
Australian Hardwood Top*	ND120W-T	\$3425	ND120F-T	\$3530

*Basin at additional cost.

1200 mm Double Bowl Two Drawers				
VANITY INCLUDES	CODE	RRP	CODE	RRP
Ceramic Basin Top - Dolce	ND120WD-D	\$2245	ND120FD-D	\$2405
Solid Surface or Stone Top*	ND120WD-S	\$2775	ND120FD-S	\$2835
Concrete Top*	ND120WD-P	\$3145	ND120FD-P	\$3255
Australian Hardwood Top*	ND120WD-T	\$3535	ND120FD-T	\$3575

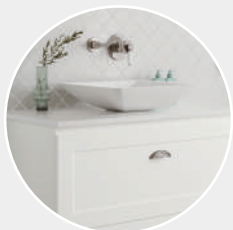
*Basin at additional cost.

1500 mm Single Bowl Four Drawers				
VANITY INCLUDES	CODE	RRP	CODE	RRP
Ceramic Basin Top - Dolce	ND150WS-D	\$3105	ND150FS-D	\$3209
Poly-Marble Basin Top - Vanessa	ND150WS-V	\$2909	ND150FS-V	\$3015
Solid Surface or Stone Top*	ND150WS-S	\$3369	ND150FS-S	\$3530
Concrete Top*	ND150WS-P	\$3819	ND150FS-P	\$3959
Australian Hardwood Top*	ND150WS-T	\$4249	ND150FS-T	\$4385

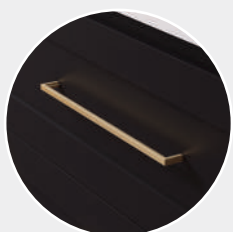
*Basin at additional cost.

Continued on next page

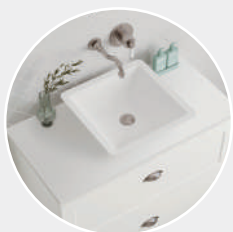
NEWPORT, ALL DRAWER, FULL DEPTH VANITIES



Choose from 3 different, sleek and modern, matt cabinet finishes on page 58.



Customise by selecting from our extensive range of handles (required) on pages 59-60.



Select from our extensive range of benchtops and basins on pages 63-77.



Order your dream vanity with our easy-to-use order forms on pages 78-79.

FULL DEPTH	Wall Hung		Floor Standing	
1500 mm Double Bowl Four Drawers				
VANITY INCLUDES	CODE	RRP	CODE	RRP
Ceramic Basin Top - Dolce	ND150WD-D	\$3530	ND150FD-D	\$3690
Poly-Marble Basin Top - Vanessa	ND150WD-V	\$3285	ND150FD-V	\$3445
Solid Surface or Stone Top*	ND150WD-S	\$3585	ND150FD-S	\$3745
Concrete Top*	ND150WD-P	\$4010	ND150FD-P	\$4175
Australian Hardwood Top*	ND150WD-T	\$4439	ND150FD-T	\$4600

*Basin at additional cost.

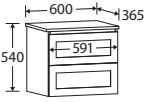
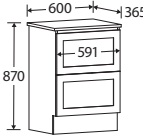
1800 mm Single Bowl Four Drawers				
VANITY INCLUDES	CODE	RRP	CODE	RRP
Poly-Marble Basin Top - Vanessa	ND180WS-V	\$3425	ND180FS-V	\$3639
Solid Surface or Stone Top*	ND180WS-S	\$3745	ND180FS-S	\$3959
Concrete Top*	ND180WS-P	\$4279	ND180FS-P	\$4495
Australian Hardwood Top*	ND180WS-T	\$4815	ND180FS-T	\$5029

*Basin at additional cost.

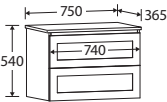
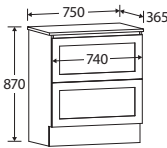
1800 mm Double Bowl Four Drawers				
VANITY INCLUDES	CODE	RRP	CODE	RRP
Poly-Marble Basin Top - Vanessa	ND180WD-V	\$3690	ND180FD-V	\$3959
Solid Surface or Stone Top*	ND180WD-S	\$4010	ND180FD-S	\$4225
Concrete Top*	ND180WD-P	\$4600	ND180FD-P	\$4815
Australian Hardwood Top*	ND180WD-T	\$5135	ND180FD-T	\$5345

*Basin at additional cost.

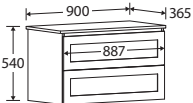
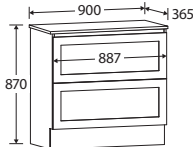
NEWPORT, ALL DRAWER, ENSUITE DEPTH VANITIES

ENSUITE DEPTH	Wall Hung		Floor Standing	
600 mm Two Drawers				
VANITY INCLUDES	CODE	RRP	CODE	RRP
Ceramic Basin Top - Delgado	NED60W-DT	\$1550	NED60F-DT	\$1710
Solid Surface or Stone Top*	NED60W-S	\$1979	NED60F-S	\$2035

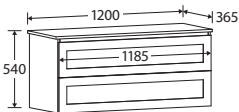
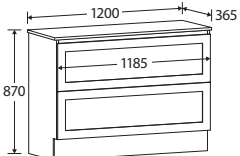
*Basin at additional cost.

750 mm Two Drawers				
VANITY INCLUDES	CODE	RRP	CODE	RRP
Ceramic Basin Top - Delgado	NED75W-DT	\$1659	NED75F-DT	\$1819
Solid Surface or Stone Top*	NED75W-S	\$2035	NED75F-S	\$2139

*Basin at additional cost.

900 mm Two Drawers				
VANITY INCLUDES	CODE	RRP	CODE	RRP
Ceramic Basin Top - Delgado	NED90W-DT	\$1710	NED90F-DT	\$1819
Solid Surface or Stone Top*	NED90W-S	\$2245	NED90F-S	\$2405

*Basin at additional cost.

1200 mm Two Drawers				
VANITY INCLUDES	CODE	RRP	CODE	RRP
Ceramic Basin Top - Delgado	NED120W-DT	\$1925	NED120F-DT	\$2035
Solid Surface or Stone Top*	NED120W-S	\$2675	NED120F-S	\$2780

*Basin at additional cost.

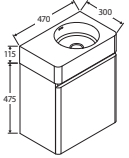
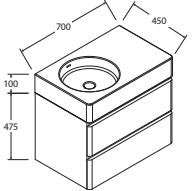
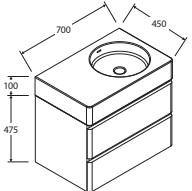
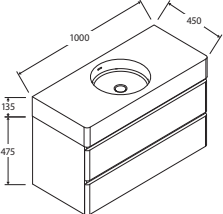
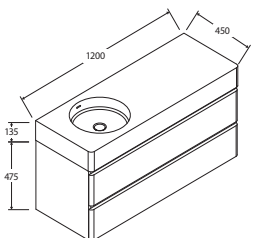
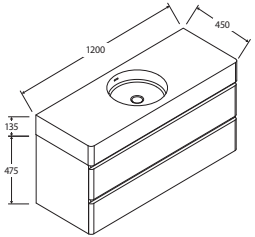


Encanto 1200 mm Left Bowl Cabinet, Stone Grey Matt • \$2729

Encanto VANITIES

The Encanto vanity features soft rounded contours that pair elegantly with the smooth matte finish of the Encanto solid surface basin top. The integrated basin top shelf and wide spacious drawers provide ample storage space.

- Select from two thermo-laminated finishes (see page 60)
- Encanto solid surface basin top with a matte white finish and built-in overflow
- Fresh white cabinet interior
- 'Confident close' drawer damping system combines smooth, fast closing with late deceleration
- Full extension runners
- Wall hung
- Discrete pull channel (optional handles included in price; door/drawer profiles remain as pictured if handles are installed)
- Made in Australia with FSC certified, E0 board

VANITY	CODE	RRP
470 MM One Door, Right Bowl		
	EN47WR	\$1469
700 MM Two Drawers, Left Bowl		
	EN70WL	\$1995
700 MM Two Drawers, Right Bowl		
	EN70WR	\$1995
1000 MM Two Drawers, Centre Bowl		
	EN100WC	\$2465
1200 MM Two Drawers, Left Bowl		
	EN120WL	\$2729
1200 MM Two Drawers, Centre Bowl		
	EN120WC	\$2729



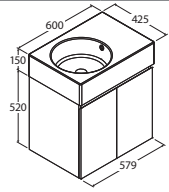
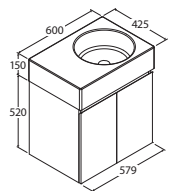
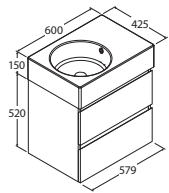
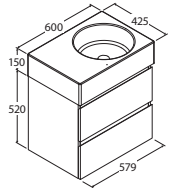
Reba All Drawer 600 mm Wall Hung Ensuite Vanity Cabinet, Angora Oak;
Reba Ceramic Basin Top • \$1925

Reba

ENSUITE VANITIES

The petite wall hung design of the Reba vanity is perfect for small bathrooms to maximise storage space. The Reba blends function and comfort with the choice of a left or right-hand bowl and large drawers for storage.

- Select from over 20 woodgrain cabinet finishes (see pages 54-57)
- Horizontal woodgrain direction
- Reba ceramic basin top with a gloss white finish and built-in overflow
- 'Confident close' drawer damping system combines smooth, fast closing with late deceleration
- Full extension drawer runners
- Wall hung
- Bevelled finger-pull channel
- Made in Australia with FSC certified, E0 board

VANITY	CODE	RRP
600 MM Two Doors, Left Bowl		
	RB60WL	\$1925
600 MM Two Doors, Right Bowl		
	RB60WR	\$1925
600 MM Two Drawers, Left Bowl		
	RBD60WL	\$1925
600 MM Two Drawers, Right Bowl		
	RBD60WR	\$1925



Riley 450 mm Floor Standing Ensuite Vanity Cabinet, Seasoned Oak; Denzel Ceramic Basin Top • \$869

Riley

SLIM ENSUITE VANITIES

The slim profile of the Riley vanity makes it the perfect solution for smaller bathrooms and ensuites. Choose from our range of stylish woodgrain finishes for a modern and textured look.

- Select from over 20 woodgrain cabinet finishes (see pages 54-57)
- Horizontal woodgrain direction
- Soft close door
- Matching interior and exterior finish
- Wall-hung or floor standing
- Slim ensuite depth (250 mm including basin-top)
- Left- or right-hand door opening available
- Bevelled finger-pull channel
- Made in Australia with FSC certified, E0 board

SLIM ENSUITE DEPTH	Wall-Hung	
450 mm One Door		
VANITY INCLUDES	CODE	RRP
Ceramic Basin-Top - Denzel	R45W-Z	\$799
Poly-Marble Basin-Top - Ralph (Non-Overflow)	R45W-R	\$749
Poly-Marble Basin-Top - Ralph (Overflow)	R45W-ROF	\$780

SLIM ENSUITE DEPTH	Floor Standing	
450 mm One Door		
VANITY INCLUDES	CODE	RRP
Ceramic Basin-Top - Denzel	R45F-Z	\$869
Poly-Marble Basin-Top - Ralph (Non-Overflow)	R45F-R	\$835
Poly-Marble Basin-Top - Ralph (Overflow)	R45F-ROF	\$869



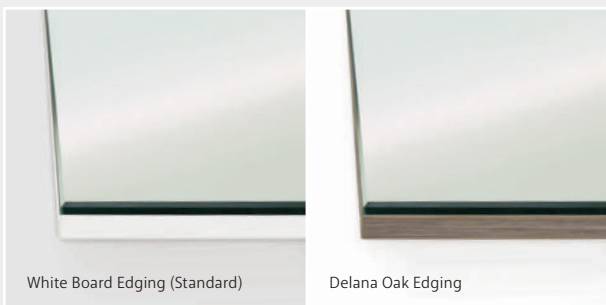
Aluca 600mm Mirror • \$429

Aluca

MIRRORS

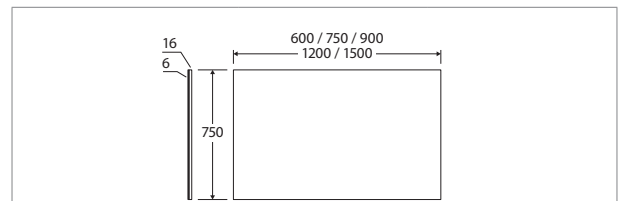
Our Australian made mirrors are made to exacting standards and are available in various sizes to suit any bathroom layout. The split batten installation design makes it easy to achieve a perfectly level mirror during installation.

- 6 mm thick glass with polished pencil edge design, pre-glued onto 16 mm thick backing board
- Select from five different sizes to suit your space
- White board edging as standard; edging to match your vanity available on request
- Copper free to prevent corrosion
- Split batten mounting for easy installation
- Made in Australia with FSC certified, E0 board
- 1-year warranty



White Board Edging (Standard)

Delana Oak Edging



SIZE	CODE	RRP
600 mm	M600	\$429
750 mm	M750	\$480
900 mm	M900	\$535
1200 mm	M1200	\$675
1500 mm	M1500	\$965



Split Batten Installation

Available in all finishes



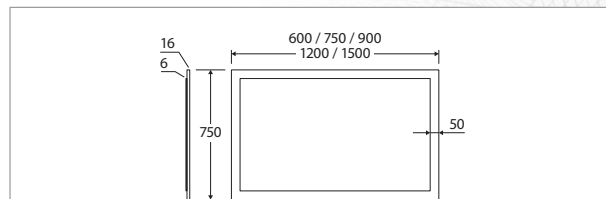
Aluca 1200mm Framed Mirror, Prime Oak • \$675

Aluca

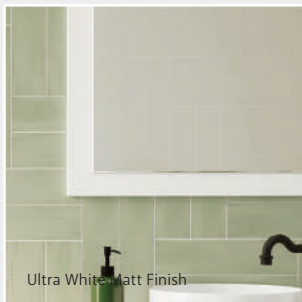
FRAMED MIRRORS

If you're looking to add an extra bit of flair and refinement to your bathroom design, try our Aluca range of framed mirrors.

- 6 mm thick glass with polished pencil edge design, pre-glued onto 16 mm thick backing board
- Select from over 20 board finishes to match your vanity (see pages 54-58)
- Horizontal direction for woodgrain finishes as standard (vertical direction available on request)
- Landscape orientation as standard (portrait orientation available on request)
- Copper free to prevent corrosion
- Split batten mounting for easy installation
- Made in Australia with FSC certified, E0 board
- 1-year warranty



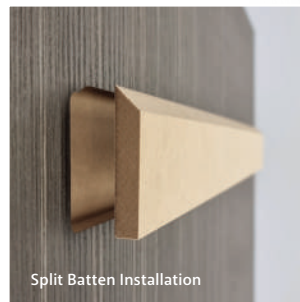
SIZE	CODE	RRP
600 mm	CFM600	\$429
750 mm	CFM750	\$480
900 mm	CFM900	\$535
1200 mm	CFM1200	\$675
1500 mm	CFM1500	\$965



Ultra White - Matt Finish



Delana Oak Finish



Split Batten Installation



Available in all finishes

Aluca 1200 mm Mirror Cabinet,
Aged Walnut • \$1069



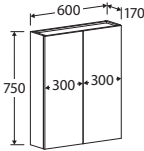
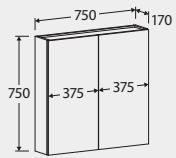
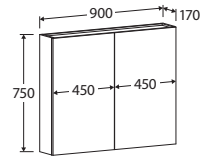
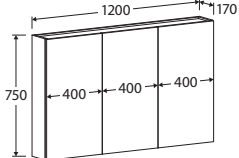
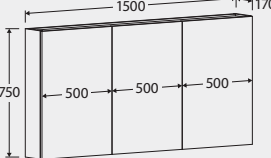
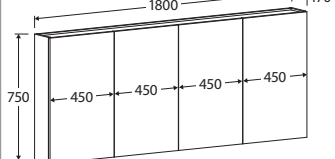
Aluca MIRROR CABINETS

Our Aluca Mirror Cabinets are a functional storage solution for your bathroom. Match the finish of the mirror cabinet to your vanity for a considered bathroom design.

- Select from over 20 finishes to match your vanity (see pages 54-58)
- For woodgrain finishes: interior with horizontal direction; sides with vertical direction
- Matching interior and exterior finish
- Soft close doors
- Two adjustable internal board shelves
- Can be installed for left- or right-side hinges
- Made in Australia with FSC certified, E0 board



Internal Shelves

CABINET	CODE	RRP
600 mm Two Mirror Doors		
	CMC600	\$679
750 mm Two Mirror Doors		
	CMC750	\$729
900 mm Two Mirror Doors		
	CMC900	\$815
1200 mm Three Mirror Doors		
	CMC1200	\$1069
1500 mm Three Mirror Doors		
	CMC1500	\$1229
1800 mm Four Mirror Doors		
	CMC1800	\$1445



Available in all finishes



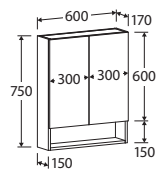
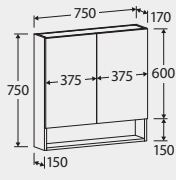
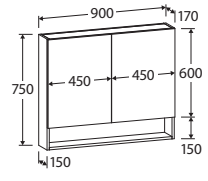
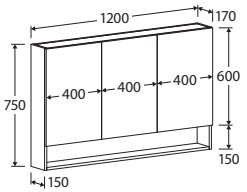
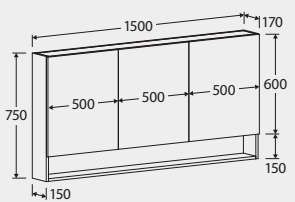
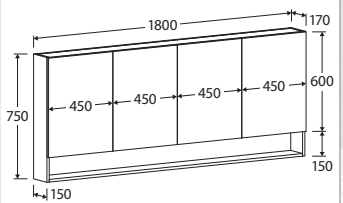
Aluca

DISPLAY SHELF MIRROR CABINETS

With an integrated display shelf, you can decorate or store easy-to-reach items for a clutter-free bathroom.

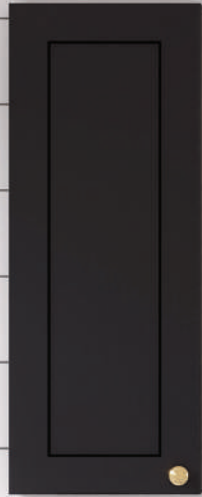
- Integrated display shelf for styling or easy access storage
- Select from over 20 finishes to match your vanity (see pages 54-58)
- For woodgrain finishes: shelf and interior with horizontal direction; sides with vertical direction
- Matching interior and exterior finish
- Soft close doors
- Two adjustable internal board shelves
- Made in Australia with FSC certified, E0 board



CABINET	CODE	RRP
600 mm Two Mirror Doors		
	DMC600	\$799
750 mm Two Mirror Doors		
	DMC750	\$935
900 mm Two Mirror Doors		
	DMC900	\$999
1200 mm Three Mirror Doors		
	DMC1200	\$1205
1500 mm Three Mirror Doors		
	DMC1500	\$1335
1800 mm Four Mirror Doors		
	DMC1800	\$1429



Newport Wall Cabinets, Black Matt;
Mila Shaker Knobs, in Urban Brass
(Custom handle positions) • \$589 each

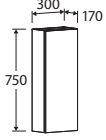
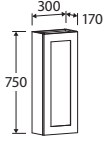
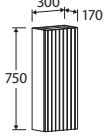


Wall CABINETS

Our Wall Cabinets are a creative and smart solution for storage in smaller bathrooms. Incorporate a wall cabinet into your design, either as a standalone piece, or combined with a mirror or mirror cabinet for a tiered look.

- Select from Carmen, Newport or Bayview designs
- Various finishes available depending on design (see pages 54-58)
- For woodgrain finishes: door and interior with horizontal direction; sides with vertical direction
- Matching interior and exterior finish
- Soft close doors
- Two adjustable internal shelves
- Can be installed for left- or right-side hinges
- Can be used with or without handles (included in price)
- Made in Australia with FSC certified, E0 board



CABINET	CODE	RRP
Carmen One Door		
	CWC300	\$525
Newport One Door		
	NWC300	\$589
Bayview One Door		
	BWC300	\$589

Newport 1200 mm Combination Cabinet,
Stone Grey Matt • \$1855



Combination

CABINETS

Combine the best of both worlds by pairing a functional mirror cabinet with a wall cabinet that matches your vanity. Choose a combination with one, or two, 300 mm wall cabinets, to create a unique look for your bathroom.

- Select from Carmen, Newport or Bayview designs
- Available in 900 mm or 1200 mm overall widths only
- Various finishes available depending on design (see pages 54-58)
- For woodgrain finishes: door and interior with horizontal direction; sides with vertical direction
- Matching interior and exterior finish
- Soft close doors
- Mirror cabinet (600 mm) features a single door design
- Two adjustable internal shelves in each cabinet
- Can be installed for left- or right-side hinges
- Can be used with or without handles (included in price)
- Made in Australia with FSC certified, E0 board

CABINET CONFIGURATION	CODE	RRP	CABINET CONFIGURATION	CODE	RRP
Carmen 900 mm One Mirror Door, One Cabinet Door			Carmen 1200 mm One Mirror Door, Two Cabinet Doors		
	CCMC900	\$1210		CCMC1200	\$1749
Newport 900 mm One Mirror Door, One Cabinet Door			Newport 1200 mm One Mirror Door, Two Cabinet Doors		
	NCMC900	\$1269		NCMC1200	\$1855
Bayview 900 mm One Mirror Door, One Cabinet Door			Bayview 1200 mm One Mirror Door, Two Cabinet Doors		
	BCMC900	\$1269		BCMC1200	\$1855



Carmen 900 mm Cabinet

Carmen Floor Standing
Tallboy, Notaio Walnut • \$1469



Tallboy

CABINETS

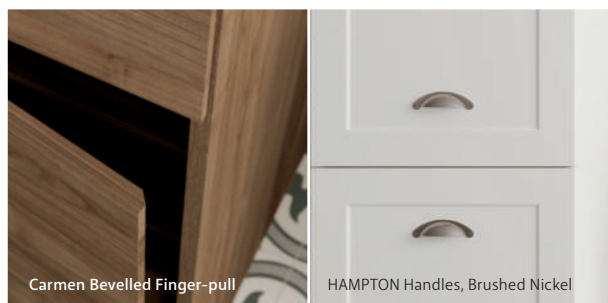
Our Tallboy range is designed to match our vanities, creating a cohesive and functional storage solution for your bathroom.

- Select from Carmen, Newport or Bayview designs
- Various finishes available depending on design (see pages 54-58)
- For woodgrain finishes: door with horizontal direction; sides and interior with vertical direction
- Soft close doors
- Fresh white interior
- Four adjustable internal shelves (fixed middle shelf)
- Door opening:
 - Carmen (Ultra White Matt): Bevelled finger-pull only; handles optional (included in price) but doors will retain bevelled finger-pull design
 - Carmen (All Other Colours): Option of bevelled finger-pull or square profile door with handles (included in price)
 - Newport: Requires handles (included in price)
 - Bayview: Moulded groove finger-pull; handles optional (included in price)
- Wall-hung or floor standing
- Made in Australia with FSC certified, E0 board



Bayview Wall-Hung Tallboy,
Ultra White Matt • \$1499

Internal Shelves



Carmen Bevelled Finger-pull

HAMPTON Handles, Brushed Nickel

CABINET STYLE	Wall-Hung		Floor Standing	
	CODE	RRP	CODE	RRP
Carmen Two Doors (Finger-pull)				
	CTBW	\$1100	CTBF	\$1469
Newport Two Doors (Handles required)				
	NTBW	\$1499	NTBF	\$1765
Bayview Two Doors (Finger-pull)				
	BTBW	\$1499	BTBF	\$1765

STANDARD
Woodgrain
 CABINET FINISHES

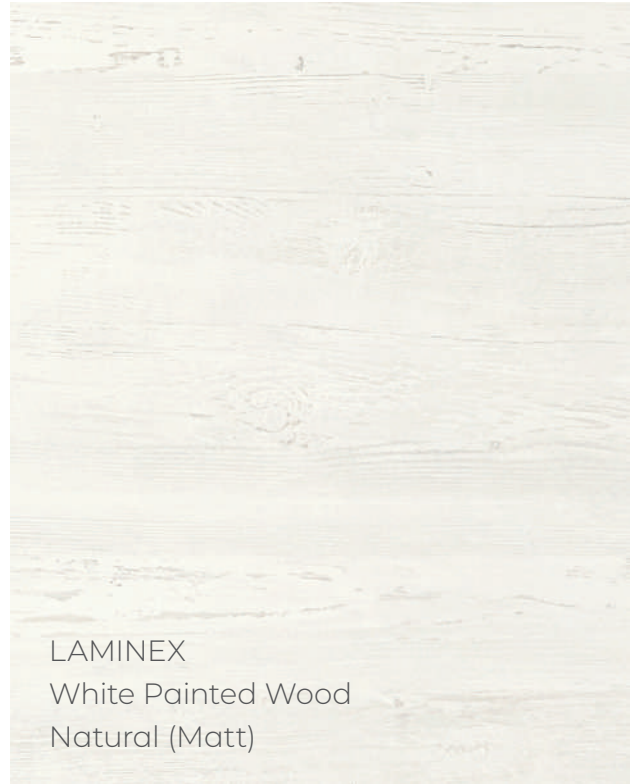
Select any of the following cabinet finishes at no extra charge. We highly recommend checking physical colour samples prior to placing your order.

Available on selected cabinets: **Kassi, Cierra, Carmen, Reba, Riley, Aluca.**

Non-Standard Cabinet Finish Options (Additional Charge)		
FINISH OPTIONS	CODE	RRP
LAMINEX Melamine	SPLFINISH-LMX	\$255
POLYTEC Melamine	SPLFINISH-PLY	\$255
All Other Non-Standard Melamine	—	POA



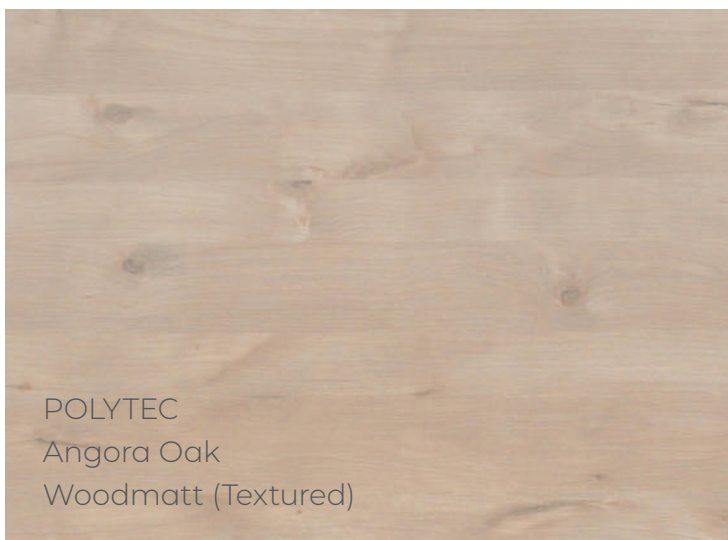
LAMINEX
 Seasoned Oak
 Chalk (Textured)



LAMINEX
 White Painted Wood
 Natural (Matt)



POLYTEC
 Distressed Wood
 Ravine (Textured)



POLYTEC
 Angora Oak
 Woodmatt (Textured)



POLYTEC
 Coastal Oak
 Woodmatt



LAMINEX
Sublime Teak
Chalk (Textured)



LAMINEX
Bayleaf
AbsoluteGrain (Textured)



POLYTEC
Drifted Oak
Ravine (Textured)



LAMINEX
Elegant Oak
Chalk (Textured)



POLYTEC
Prime Oak
Woodmatt (Textured)



POLYTEC
Tasmanian Oak
Woodmatt (Textured)



POLYTEC
Grey Cement
Legato (Matt)



LAMINEX
Rural Oak
Chalk (Textured)



LAMINEX
Austral Oak Truescale
AbsoluteGrain (Textured)



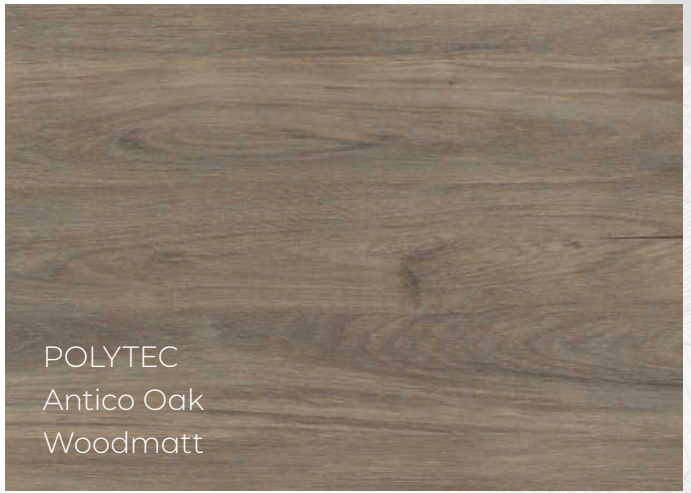
POLYTEC
Estella Oak
Woodmatt (Textured)



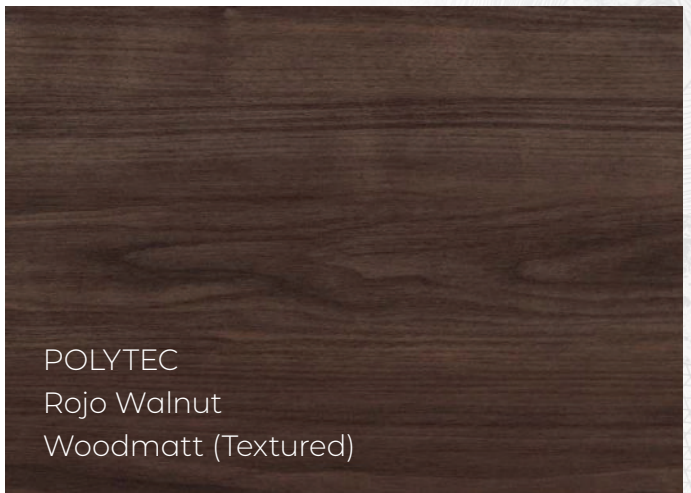
POLYTEC
Notaio Walnut
Woodmatt



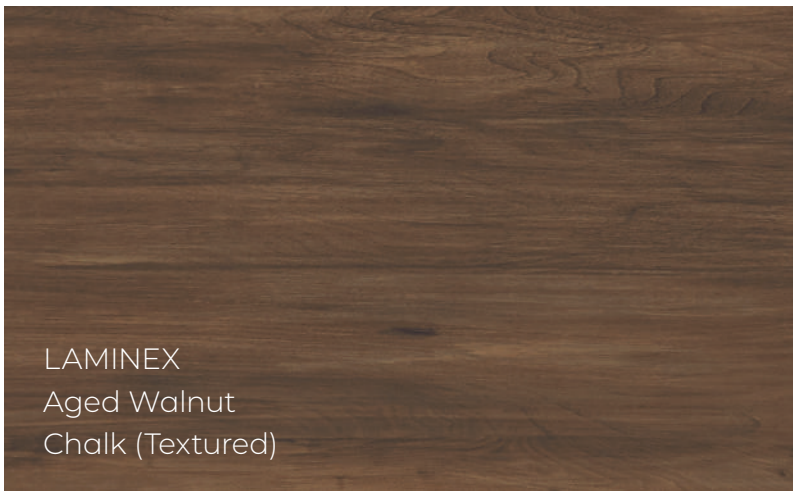
LAMINEX
Delana Oak
Chalk (Textured)



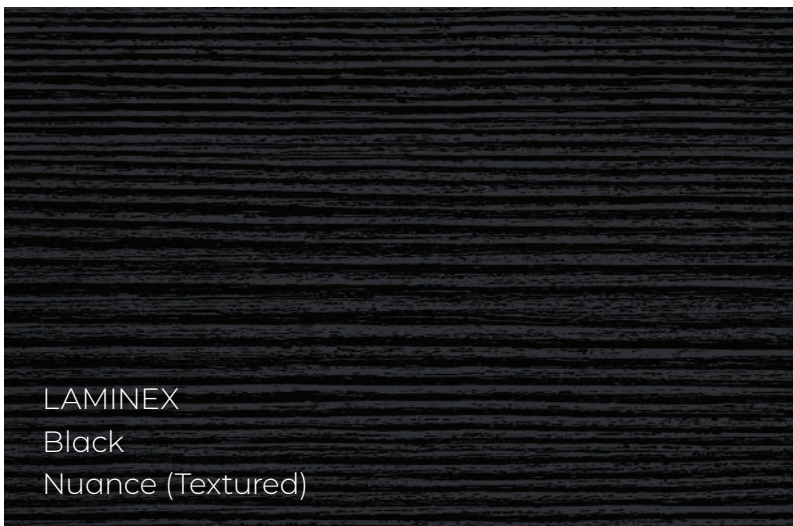
POLYTEC
Antico Oak
Woodmatt



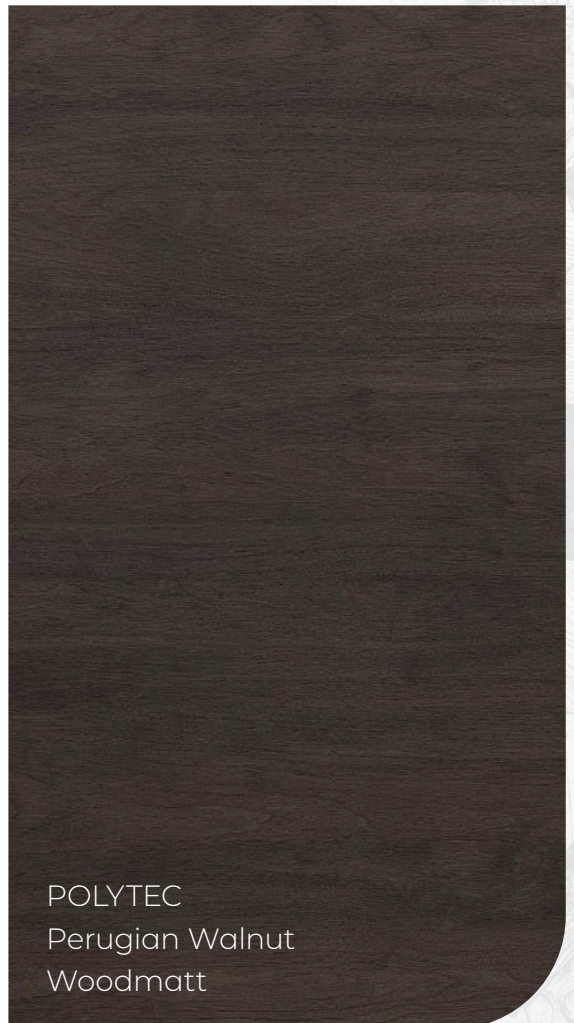
POLYTEC
Rojo Walnut
Woodmatt (Textured)



LAMINEX
Aged Walnut
Chalk (Textured)



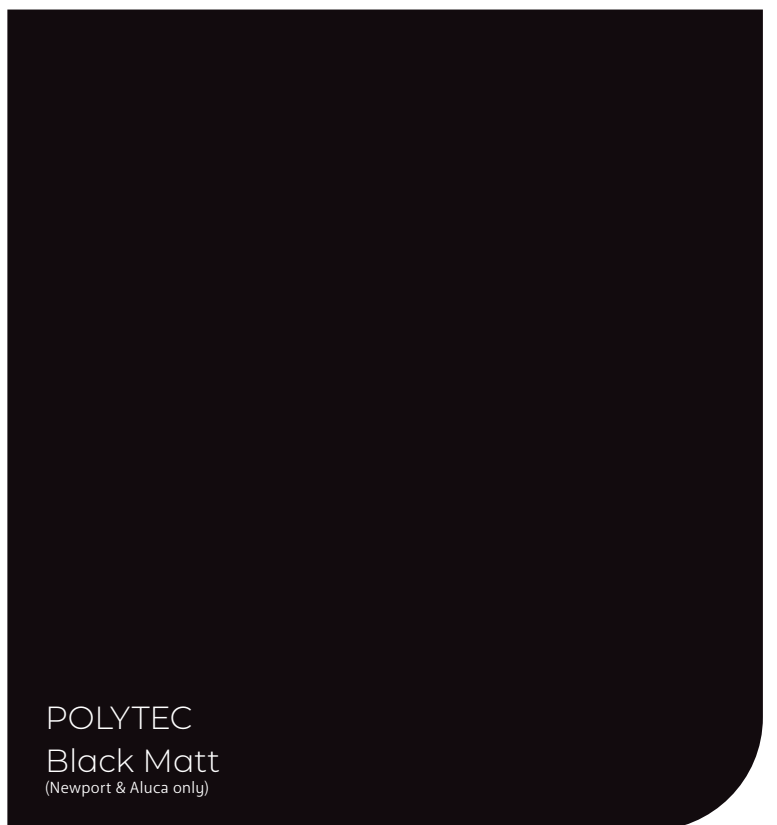
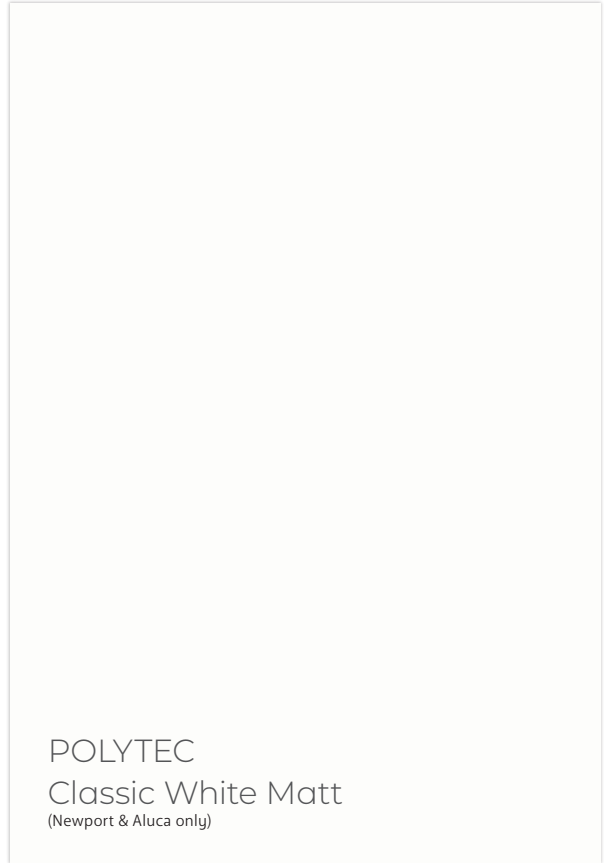
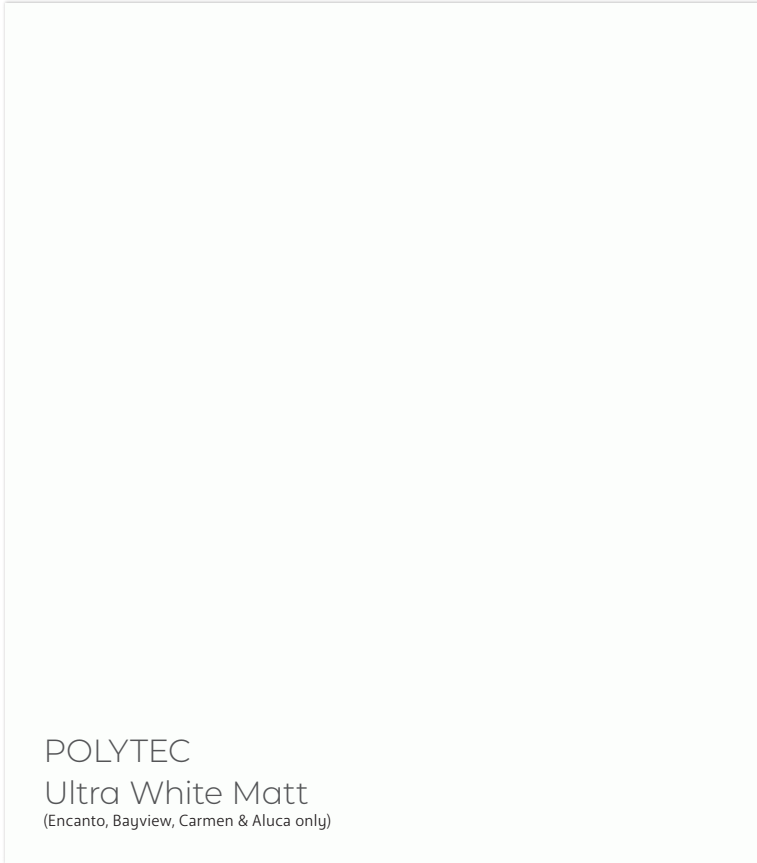
LAMINEX
Black
Nuance (Textured)



POLYTEC
Perugian Walnut
Woodmatt

STANDARD
Thermo-laminated
CABINET FINISHES

Select any of the following standard cabinet finishes at no extra charge. Colour availability depends on model as indicated below. We highly recommend checking physical colour samples prior to placing your order.



CABINET Handles

Handles are included in the prices of the cabinets listed in this brochure.



DALLAS HANDLE

COLOUR	SIZE*	CODE
Chrome	96 mm	HANDLEDS96C
	160 mm	HANDLEDS160C
	288 mm	HANDLEDS288C
	352 mm	HANDLEDS352C
Satin Chrome	96 mm	HANDLEDS96SC
	160 mm	HANDLEDS160SC
	288 mm	HANDLEDS288SC
	352 mm	HANDLEDS352SC
Matte Black	96 mm	HANDLEDS96MB
	160 mm	HANDLEDS160MB
	288 mm	HANDLEDS288MB
	352 mm	HANDLEDS352MB
Brushed Nickel	96 mm	HANDLEDS96BN
	160 mm	HANDLEDS160BN
	288 mm	HANDLEDS288BN
	352 mm	HANDLEDS352BN

*All measurements represent the distance between the centre-hole mounting points.

URBANE HANDLE

COLOUR	SIZE*	CODE
Chrome	128 mm	HANDLEU128C
	192 mm	HANDLEU192C
	320 mm	HANDLEU320C
Matte White	128 mm	HANDLEU128MW
	192 mm	HANDLEU192MW
	320 mm	HANDLEU320MW
Matte Black	128 mm	HANDLEU128MB
	192 mm	HANDLEU192MB
	320 mm	HANDLEU320MB
Brushed Nickel	128 mm	HANDLEU128BN
	192 mm	HANDLEU192BN
	320 mm	HANDLEU320BN
Gun Metal	128 mm	HANDLEU128GM
	192 mm	HANDLEU192GM
	320 mm	HANDLEU320GM
Brushed Copper	128 mm	HANDLEU128CO
	192 mm	HANDLEU192CO
	320 mm	HANDLEU320CO
Urban Brass	128 mm	HANDLEU128BG
	192 mm	HANDLEU192BG
	320 mm	HANDLEU320BG

*All measurements represent the distance between the centre-hole mounting points.



KAYA POINT KNOB

COLOUR	SIZE	CODE
Chrome	19.5 mm	HANDLEPCH
Matte White	19.5 mm	HANDLEPMW
Matte Black	19.5 mm	HANDLEPMB
Brushed Nickel	19.5 mm	HANDLEPBN
Gun Metal	19.5 mm	HANDLEPGM
Brushed Copper	19.5 mm	HANDLEPCO
Urban Brass	19.5 mm	HANDLEPUB



MILA SHAKER KNOB

COLOUR	SIZE	CODE
Chrome	29.8 mm	HANDLEKCH
Matte White	29.8 mm	HANDLEKMW
Matte Black	29.8 mm	HANDLEKMB
Brushed Nickel	29.8 mm	HANDLEKBN
Brushed Copper	29.8 mm	HANDLEKCO
Urban Brass	29.8 mm	HANDLEKUB



RISDON RIGID PULL HANDLE

COLOUR	SIZE*	CODE
Matte Black	96 mm	HANDLER96B

*All measurements represent the distance between the centre-hole mounting points.



HAMPTON PULL HANDLE

COLOUR	SIZE*	CODE
Chrome	64 mm	HANDLEHCH
Matte Black	64 mm	HANDLEHMB
Brushed Nickel	64 mm	HANDLEHBN
Urban Brass	64 mm	HANDLEHUB

*All measurements represent the distance between the centre-hole mounting points.



EDGE ROUND HANDLE

Designed for use with BAYVIEW and KASSI vanity cabinets

COLOUR	SIZE*	CODE
Chrome	40 mm	HANDLEF40C
	200 mm	HANDLEF200C
	350 mm	HANDLEF350C
Matte White	40 mm	HANDLEF40MW
	200 mm	HANDLEF200MW
	350 mm	HANDLEF350MW
Matte Black	40 mm	HANDLEF40MB
	200 mm	HANDLEF200MB
	350 mm	HANDLEF350MB
Brushed Nickel	40 mm	HANDLEF40BN
	200 mm	HANDLEF200BN
	350 mm	HANDLEF350BN
Gun Metal	40 mm	HANDLEF40GM
	200 mm	HANDLEF200GM
	350 mm	HANDLEF350GM
Brushed Copper	40 mm	HANDLEF40CO
	200 mm	HANDLEF200CO
	350 mm	HANDLEF350CO
Urban Brass	40 mm	HANDLEF40BG
	200 mm	HANDLEF200BG
	350 mm	HANDLEF350BG

*All measurements represent the distance between the centre-hole mounting points.



STANDARD HANDLE

Positions

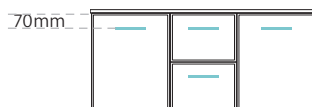
WALL HUNG

FLOOR STANDING

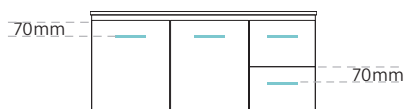
KASSI



CIERRA



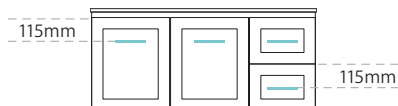
CARMEN
DOOR & DRAWER



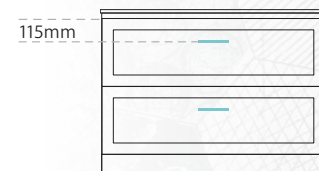
CARMEN ALL DRAWER
& ENCANTO WALL HUNG



NEWPORT
DOOR & DRAWER



NEWPORT
ALL DRAWER



REBA



Handle positions can be customised. See page 79 for custom positions form.

BAYVIEW



A SIMPLE GUIDE TO Benchtops & Basins

To help you select the right top and basin for your vanity, browse the guide below which explains the difference in materials across our moulded basin tops, benchtops and basin ranges.



Concrete

- Unique warm grey finish with food-grade nano coating
- Variations in patina, surface and colour for a natural look
- Reversible bowl design
- 2-year warranty

Solid Surface

- Made from velvet-smooth solid surface material (100% silica free)
- Easy to clean, durable non-porous surface
- Scratch, dent and heat resistant
- Benchtop: 5-year warranty
- Basins: 25-year structural warranty; 5-year finish warranty

Silica Free Stone

- Made from smooth silica free* stone (*defined as containing less than 1% crystalline silica)
- Easy to clean, durable non-porous surface
- Scratch, dent and heat resistant
- 5-year warranty



Ceramic

- High quality, durable vitreous china
- Easy to clean and highly resistant to discolouration
- Scratch and dent resistant
- 5-year warranty

Hardwood Timber Tops

- Natural Australian hardwood
- 100% recycled from old Queenslander-style houses
- Variations in colour and grain for a natural look
- 40mm thick with biscuit joints for superior strength
- 1-year warranty



MOULDED Basin Tops

Moulded basin tops optimise your benchtop space and feature an easy-to-clean design that is both beautiful and functional. Select from an extensive range of options in different sizes, materials and tap hole configurations.



Dolce
Ceramic, Full Depth

Available with no tap hole, 1 tap hole or 3 tap holes (depending on size).

- SIZES**
- 600 mm
 - 750 mm
 - 900 mm
 - 900 mm Offset (Left or Right Bowl)*
 - 1200 mm (Single Bowl)
 - 1200 mm (Double Bowl)*
 - 1500 mm (Single or Double Bowl)*
- *1 tap hole or 3 tap holes only



Vanessa
Poly-Marble, Full Depth

Available with no overflow; 1 tap hole or 3 tap holes.

- SIZES**
- 600 mm
 - 750 mm
 - 900 mm
 - 1200 mm (Single Bowl)
 - 1500 mm (Single or Double Bowl)
 - 1800 mm (Single or Double Bowl)



Joli Gloss or Matte
Ceramic, Full Depth

Available with 1 tap hole or 3 tap holes only.

- SIZES**
- 600 mm
 - 750 mm
 - 900 mm
 - 1200 mm



Rotondo
Ceramic, Full Depth

Available with 1 tap hole or 3 tap holes.

- SIZES**
- 600 mm
 - 750 mm
 - 900 mm
 - 1200 mm



Dolce Matte Black
Ceramic, Full Depth

Available with 1 tap hole or 3 tap holes only.

- SIZES**
- 750 mm
 - 900 mm
 - 1200 mm



Satori
Concrete, Full Depth

Not available with tap holes.

- SIZES**
- 750 mm (Reversible Left or Right Bowl)
 - 900 mm (Reversible Left or Right Bowl)
 - 1200 mm (Reversible Left or Right Bowl)



Delgado
Ceramic, Ensuite Depth

Available with 1 tap hole or 3 tap holes only.

- SIZES**
- 600 mm
 - 750 mm
 - 900 mm
 - 1200 mm



Reba
Ceramic, Ensuite Depth

Available with overflow, no tap hole or 1 tap hole.

- 600 mm (Left or Right Bowl) (suits Reba cabinets only)



Encanto
Solid Surface, Ensuite Depth

Available with overflow, no tap hole or 1 tap hole.

- SIZES**
- 470 mm
 - 700 mm (Left or Right Bowl)
 - 1000 mm
 - 1200 mm (Left bowl)
 - 1200 mm (Centre bowl) (suits Encanto cabinets only)



Denzel
Ceramic

Available with 1 tap hole, no overflow and reversible left or right tap position.

- SIZES**
- 450 mm (suits Riley cabinets only)



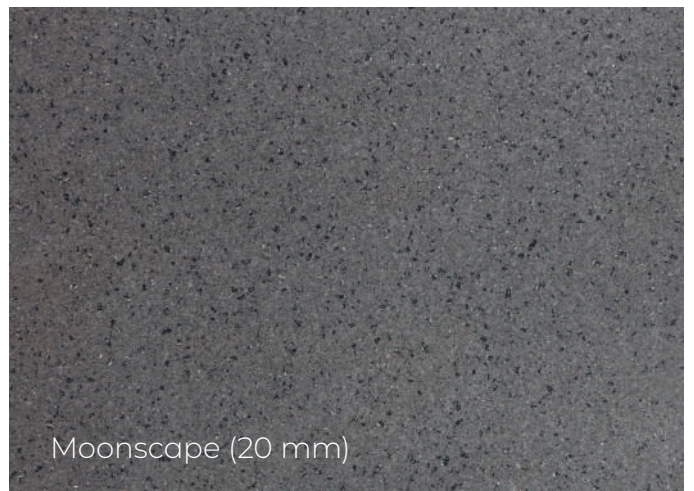
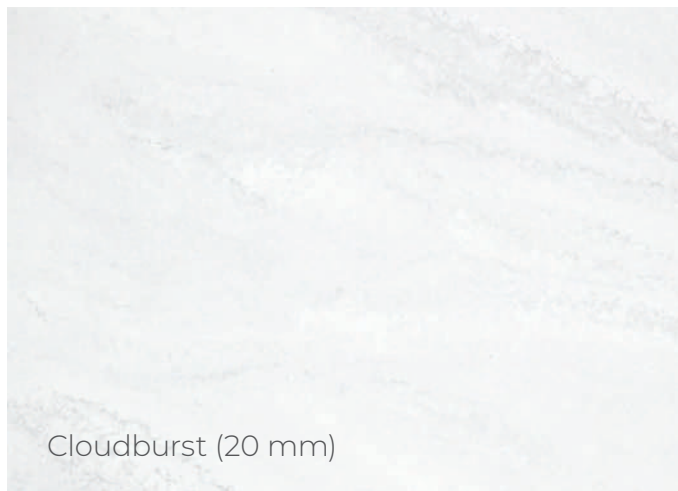
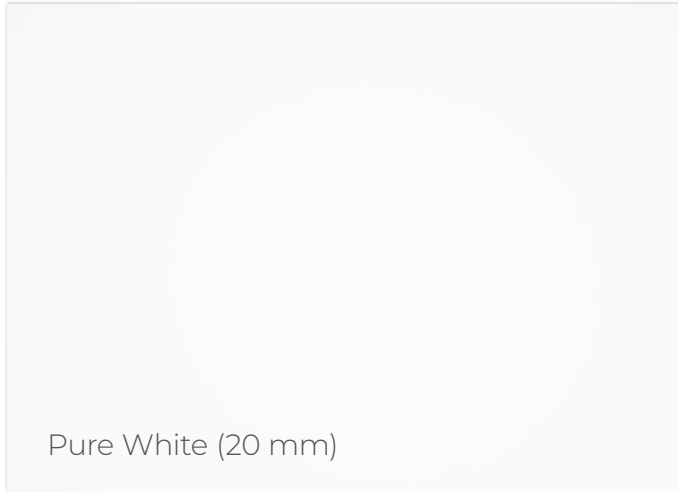
Ralph
Poly-Marble

Available with 1 tap hole, overflow, no overflow and reversible left or right tap position.

- SIZES**
- 450 mm (suits Riley cabinets only)

Vanity Benchtops

SOLID SURFACE



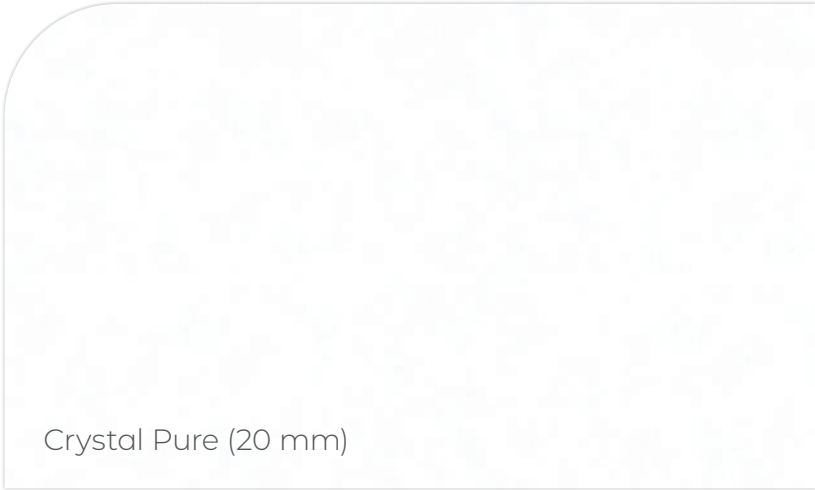
HARDWOOD



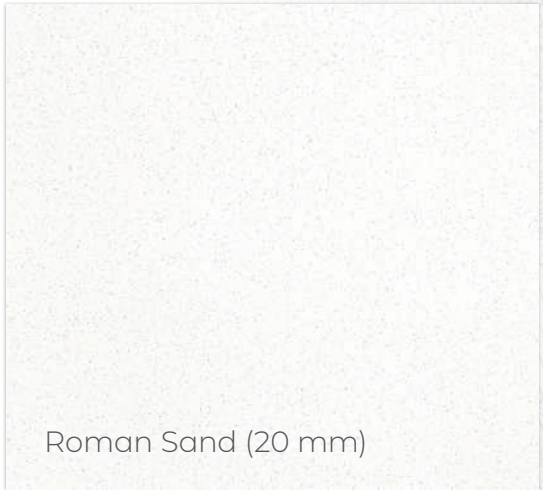
*Variations in colour, direction of marble vein or woodgrain, and prominence of stone fleck or vein may occur, and will be affected by the size of benchtop selected.

SILICA FREE[^] STONE

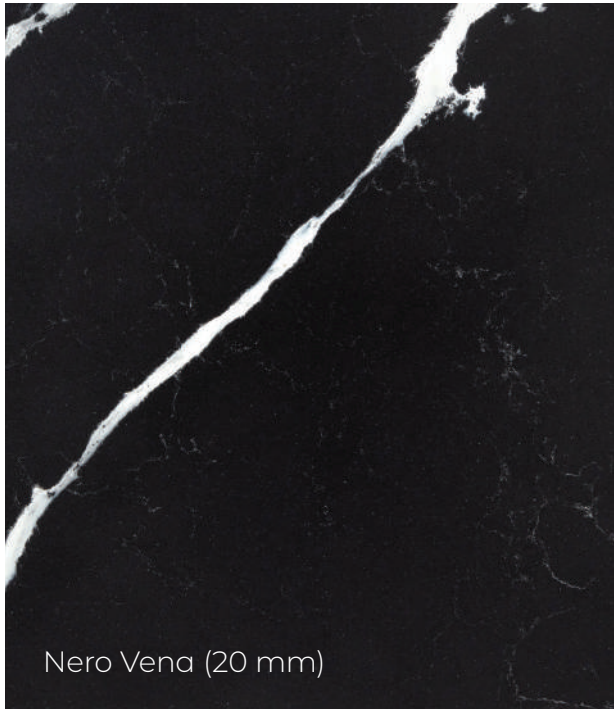
CUSTOMISE YOUR VANITY



Crystal Pure (20 mm)



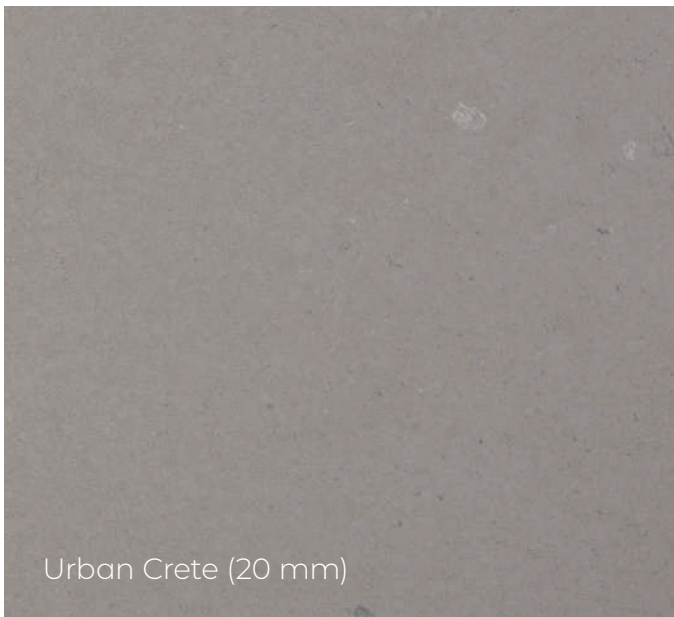
Roman Sand (20 mm)



Nero Vena (20 mm)



Bianco Marble (20 mm)



Urban Crete (20 mm)



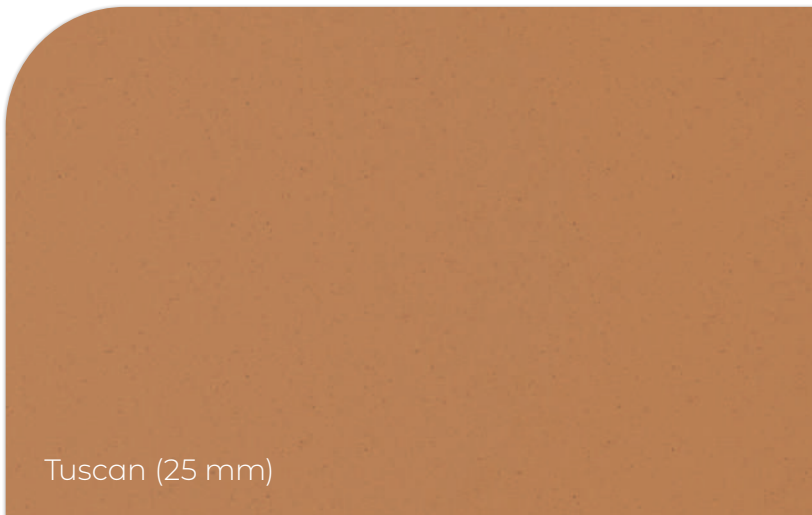
Polar Sacco (20 mm)

[^]Defined as containing less than 1 % crystalline silica.

*Variations in colour, direction of marble vein or woodgrain, and prominence of stone fleck or vein may occur, and will be affected by the size of benchtop selected.

CONCRETE[^]

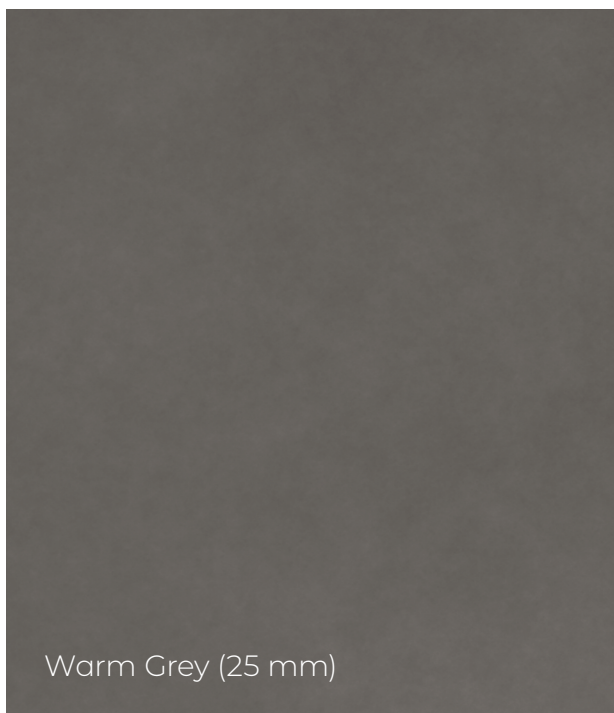
[^]Suitable for full depth vanities and above counter basins only.



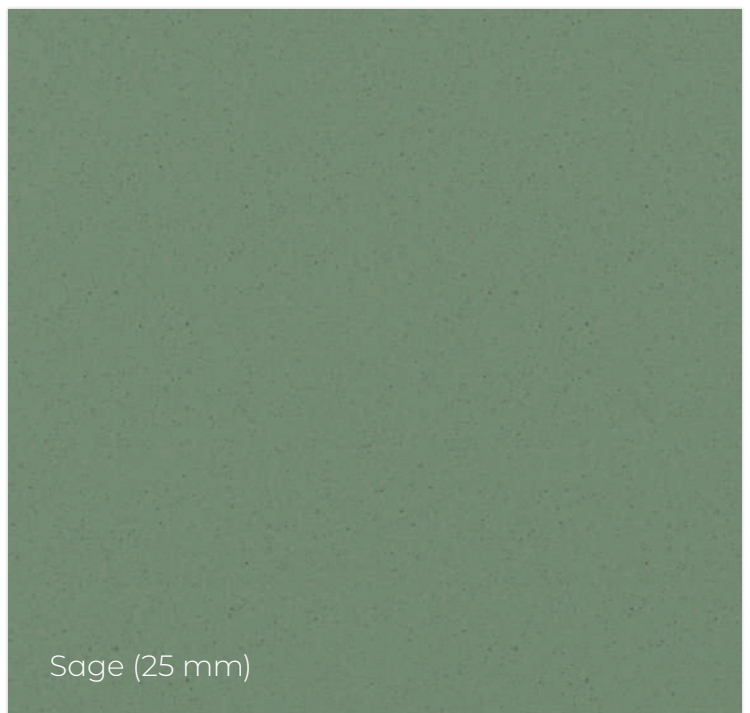
Tuscan (25 mm)



Carbon (25 mm)



Warm Grey (25 mm)



Sage (25 mm)



Terrazzo (25 mm)

*Variations in colour, direction of marble vein or woodgrain, and prominence of stone fleck or vein may occur, and will be affected by the size of benchtop selected.



Cierra 900 mm Wall Hung Vanity Cabinet, Seasoned Oak Chalk;
Urbane 192mm, 320mm Handle, Matte Black; Warm Grey 900 mm Concrete Top • \$2550
Jada Round Concrete Above Counter Basin, Warm White • \$499

Above Counter

CERAMIC BASINS



NEW

Aluca Pill Gloss White
\$299 • RB8010
510 x 310 x 120 mm



NEW

Aluca Pill Matte White
\$399 • RB8010MW
510 x 310 x 120 mm



NEW

Aluca Pill Matte Black
\$399 • RB8010B
510 x 310 x 120 mm



ELEANOR Round Gloss White
\$249 • RB465
410 x 410 x 100 mm



ELEANOR Arch Gloss White
\$249 • RB463
415 x 365 x 100 mm



ELEANOR Oval Gloss White
\$249 • RB464
580 x 360 x 100 mm



ELEANOR Rectangular Gloss White
\$249 • RB467
500 x 380 x 100 mm



ELEANOR Round Matte White
\$420 • RB465MW
410 x 410 x 100 mm



ELEANOR Arch Matte White
\$420 • RB463MW
415 x 365 x 100 mm



ELEANOR Oval Matte White
\$420 • RB464MW
580 x 360 x 100 mm



FORMA Gloss White
\$249 • RB480
415 x 365 x 100 mm



REBA MINI Gloss White
\$199 • RB3280
310 x 310 x 110 mm



REBA Gloss White
\$199 • RB3134
360 x 360 x 120 mm



REBA Matte Black
\$329 • RB3134B
360 x 360 x 120 mm



RAK FEELING Round Gloss White
\$352 • 606000W
420 x 420 x 145 mm

RAK CERAMICS

RAK CERAMICS

RAK CERAMICS

RAK CERAMICS

NEW

NEW



KEETO Gloss White
\$249 • RB814
500 x 350 x 95 mm



PAOLA Gloss White
\$199 • RB3078
410 x 340 x 145 mm



RAK CLOUD Alpine Gloss White
\$420 • 6000AWHA
580 x 400 x 150 mm



RAK CLOUD Matte White
\$499 • 6000500A
580 x 400 x 150 mm



RAK CLOUD Matte Black
\$499 • 6000504A
580 x 400 x 150 mm



ALUCA Gloss White
\$299 • RB821
400 x 400 x 140 mm



PEBBLE SMALL Gloss White
\$249 • RB486
400 x 395 x 100 mm



PEBBLE MEDIUM Gloss White
\$275 • RB487
500 x 400 x 100 mm



PEBBLE LARGE Gloss White
\$299 • RB489
650 x 400 x 100 mm



ALUCA Matte White
\$399 • RB821W
400 x 400 x 140 mm



PEBBLE SMALL Matte White
\$399 • RB486W
400 x 395 x 100 mm



PEBBLE MEDIUM Matte White
\$420 • RB487W
500 x 400 x 100 mm



PEBBLE LARGE Matte White
\$440 • RB489W
650 x 400 x 100 mm



ALUCA Matte Black
\$399 • RB821B
400 x 400 x 140 mm



PEBBLE SMALL Matte Black
\$399 • RB486B
400 x 395 x 100 mm



PEBBLE MEDIUM Matte Black
\$420 • RB487B
500 x 400 x 100 mm



PEBBLE LARGE Matte Black
\$440 • RB489B
650 x 400 x 100 mm



ALUCA Matte Khaki
\$399 • RB821MK
400 x 400 x 140 mm



PEBBLE SMALL Matte Khaki
\$399 • RB486MK
400 x 395 x 100 mm



PEBBLE MEDIUM Matte Khaki
\$420 • RB487MK
500 x 400 x 100 mm



PEBBLE LARGE Matte Khaki
\$440 • RB489MK
650 x 400 x 100 mm



ALUCA Matte Olive
\$399 • RB821MG
400 x 400 x 140 mm



PEBBLE SMALL Matte Olive
\$399 • RB486MG
400 x 395 x 100 mm



PEBBLE MEDIUM Matte Olive
\$420 • RB487MG
500 x 400 x 100 mm



PEBBLE LARGE Matte Olive
\$440 • RB489MG
650 x 400 x 100 mm

ABOVE COUNTER, CERAMIC BASINS



KOKO® 370 Gloss White
\$199 • RB184
370 x 370 x 115 mm



KOKO® 465 Gloss White
\$199 • RB185
465 x 375 x 115 mm



KOKO® 465 Matte White
\$480 • RB185MW
465 x 375 x 115 mm



KOKO® 465 Matte Black
\$480 • RB185B
465 x 375 x 115 mm



CHLOE Gloss White
\$199 • RB2245
400 x 400 x 105 mm



PETRA Gloss White, No Tap Hole
\$199 • RB196
390 x 390 x 130 mm



LUCIANA® Gloss White
\$249 • RB2178
510 x 405 x 110 mm



LUCIANA® Matte Black
\$430 • RB2178B
510 x 405 x 110 mm



PETRA MINI Gloss White
1 tap hole \$249 • RB2177
3 tap holes \$299 • RB2177-3
420 x 420 x 120 mm



PETRA Gloss White
1 tap hole \$249 • RB2173
3 tap holes \$299 • RB2173-3
500 x 420 x 120 mm



PETRA Matte Black
1 tap hole \$460 • RB2173B
3 tap holes \$510 • RB2173B-3
500 x 420 x 120 mm



PETRA 600 Gloss White
1 tap hole \$285 • RB2174
3 tap holes \$335 • RB2174-3
600 x 435 x 130 mm

RAK
CERAMICS



RAK FEELING Rectangular Gloss White
\$352 • 606200W
500 x 360 x 130 mm

RAK
CERAMICS



RAK FEELING Oval Gloss White
\$352 • 606100W
550 x 350 x 130 mm



CHICA 405 Gloss White
1 tap hole \$199 • RB2201
405 x 405 x 120 mm



CHICA 500 Gloss White
1 tap hole \$199 • RB2202
505 x 385 x 120 mm



WILLOW Gloss White
1 tap hole \$249 • RB7033
3 tap holes \$299 • RB7033-3
495 x 395 x 150 mm



COMO Gloss White
1 tap hole \$199 • 7078W
475 x 435 x 80 mm



MODENA BABY Gloss White
1 tap hole \$165 • TR4549
330 x 290 x 120 mm

ABOVE COUNTER, CONCRETE BASINS



JADA Round Warm Grey
\$399 • RB199
390 x 390 x 120 mm



JADA Pill Warm Grey
\$449 • RB013
600 x 280 x 120 mm



ALBA Warm Grey
\$429 • RB074
362 x 362 x 145 mm



JADA Round Warm White
\$499 • RB199W
390 x 390 x 120 mm



JADA Pill Warm White
\$549 • RB013W
600 x 280 x 120 mm



ALBA Warm White
\$499 • RB074W
362 x 362 x 145 mm



JADA Round Tuscan
\$399 • RB199TU
390 x 390 x 120 mm



JADA Pill Tuscan
\$449 • RB013TU
600 x 280 x 120 mm



ALBA Tuscan
\$429 • RB074TU
362 x 362 x 145 mm



JADA Round Sage
\$399 • RB199SG
390 x 390 x 120 mm



JADA Pill Sage
\$449 • RB013SG
600 x 280 x 120 mm



ALBA Sage
\$429 • RB074SG
362 x 362 x 145 mm



JADA Round Terrazzo
\$499 • RB199TZ
390 x 390 x 120 mm



JADA Pill Terrazzo
\$549 • RB013TZ
600 x 280 x 120 mm



ABOVE COUNTER, SOLID SURFACE BASINS



MINKA Round Matte White
\$480 • CSB802
400 x 400 x 120 mm



MINKA Round Matte Black
\$499 • CSB802B
400 x 400 x 120 mm



MINKA Round Dusk
\$499 • CSB802D
400 x 400 x 120 mm



MINKA Round Forest
\$499 • CSB802F
400 x 400 x 120 mm



MINKA Pill Matte White
\$540 • CSB804
550 x 340 x 120 mm



MINKA Pill Matte Black
\$590 • CSB804B
550 x 340 x 120 mm



MINKA Pill Dusk
\$590 • CSB804D
550 x 340 x 120 mm



MINKA Pill Forest
\$590 • CSB804F
550 x 340 x 120 mm



CLASSIQUE 420 Matte White
\$399 • CSB02
420 x 420 x 105 mm



CLASSIQUE 420 Matte Black
\$599 • CSB02-MB
420 x 420 x 105 mm



CLASSIQUE 600 Matte White
\$449 • CSB03
600 x 345 x 105 mm



CLASSIQUE 600 Matte Black
\$649 • CSB03-MB
600 x 345 x 105 mm



BAHAMA Matte White
\$399 • CSB01
600 x 350 x 105 mm



BAHAMA Matte Black
\$599 • CSB01-MB
600 x 350 x 105 mm



NERO Matte White
\$499 • CSB63
580 x 380 x 145 mm



BAHAMA MKII Matte White
\$499 • CSB61
600 x 357 x 160 mm



ANTONIA Matte White
\$499 • CSB088
600 x 410 x 110 mm



LEXY Matte White
\$399 • CSB038
380 x 380 x 160 mm

Undermount

BASINS

This type of basin is mounted to the stone top from underneath. Undermount basins provide plenty of counter space and make cleaning easy.



KOKO Ceramic
For Stone Tops

(Centre basin-hole with no tap hole or 12 o'clock tap hole only)

Gloss White \$249 • RB561

Matte White \$299 • RB561MW

For all other Stone Top Cuts

Gloss White \$649 • RB561-UM

Matte White \$699 • RB561MW-UM

470 x 350 x 173 mm



KOKO Ceramic Matte Black
For Stone Tops

(Centre basin-hole with no tap hole or 12 o'clock tap hole only)

Matte Black \$299 • RB561B

For all other Stone Top Cuts

Matte Black \$699 • RB561B-UM

470 x 350 x 173 mm



SARAH Ceramic Gloss White*
For Stone Tops

(Centre basin-hole with no tap hole or 12 o'clock tap hole only)

\$199 • TR4070

For all other Stone Top cuts

\$599 • TR4070-UM

465 x 345 x 210 mm



KARMEN Ceramic Gloss White
\$505 • TR908-UM

(Not suitable for 12 o'clock tap hole)

Semi-Inset

BASINS

Semi-inset basins are a design hybrid of the above counter and fully-inset basin styles. They a great option for those wanting an above counter look with more counter space.



Aluca Pill Gloss White
\$389 • RB530-SEMI
530 x 350 x 65 mm



Aluca Pill Matte White
\$539 • RB530MW-SEMI
530 x 350 x 65 mm



PETRA MINI Ceramic Gloss White
1 tap hole \$339 • RB2601-SEMI
433 x 303 x 55 mm



Aluca Pill Matte Khaki
\$539 • RB530MK-SEMI
530 x 350 x 65 mm



Aluca Pill Matte Olive
\$539 • RB530MG-SEMI
530 x 350 x 65 mm



Aluca Pill Matte Black
\$539 • RB530B-SEMI
530 x 350 x 65 mm



REBA Ceramic Gloss White
1 tap hole \$360 • RB4066-SEMI
390 x 390 x 50 mm



REBA Ceramic Gloss White
\$339 • RB3134D-SEMI
(10 o'clock or 2 o'clock only)
355 x 355 x 48 mm



PARISA Ceramic
No tap hole \$389 • RB5033-0-SEMI
1 tap hole \$389 • RB5033-1-SEMI
515 x 370 x 65 mm



SARAH Ceramic Gloss White
For Stone Tops
(Centre basin-hole and one 12 o'clock tap hole only)
\$199 • RB4071
For all other Stone Top cuts and all Hardwood cuts
\$339 • RB4071-SEMI
440 x 310 x 50 mm

All prices include the undermount or semi-inset basin hole cut for the vanity top.

BASIN Accents

DOME POP-UP BASIN WASTES

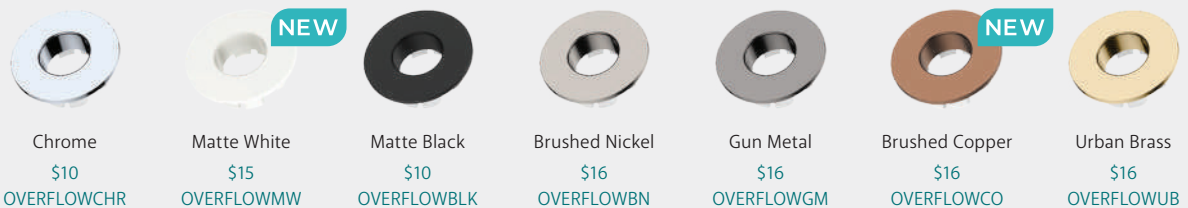


DOME CAP (32 mm Waste)			
Colour	Cap Material	No Overflow	With Overflow
Chrome	Brass	\$30 • WAS59	\$30 • WAS58
Gloss White	Ceramic	\$60 • WAS81	\$60 • WAS82
Matte White	Ceramic	\$60 • WAS59MW	\$60 • WAS58MW
Matte Black	Ceramic	\$60 • WAS59MB	\$60 • WAS58MB
Matte Blue	Ceramic	\$60 • WAS59BLUE	\$60 • WAS58BLUE
Matte Green	Ceramic	\$60 • WAS59GR	\$60 • WAS58GR
Matte Khaki	Ceramic	\$60 • WAS59MK	\$60 • WAS58MK
Matte Olive	Ceramic	\$60 • WAS59MG	\$60 • WAS58MG
Matte White	Solid Surface	\$65 • WAS59W	\$65 • WAS58W
Matte Black	Solid Surface	\$65 • WAS59B	\$65 • WAS58B
Dusk	Solid Surface	\$85 • WAS59D	
Forest	Solid Surface	\$85 • WAS59F	



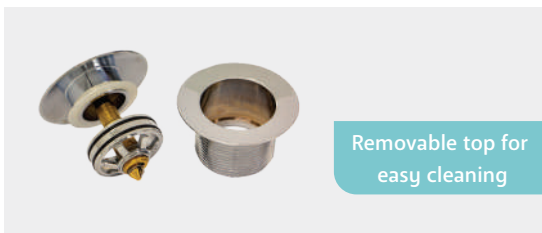
ROUND OVERFLOW RINGS

Suitable for use with Fienza and RAK basins and basin tops with a round overflow.



UNIVERSAL PULL-OUT/POP-UP BASIN WASTES

UNIVERSAL (Pop-Up/Pull-Out 32/40 mm Waste)		
Colour	Cap Material	
Chrome	Brass	\$49 • WAS72
Matte Black	Brass	\$80 • WAS72MB
Brushed Nickel	Brass	\$80 • WAS72BN
Gun Metal	Brass	\$80 • WAS72GM
Brushed Copper	Brass	\$80 • WAS72CO
Urban Brass	Brass	\$80 • WAS72UB
Warm Grey	Concrete	\$100 • WAS72CC
Warm White	Concrete	\$100 • WAS72W
Terrazzo	Concrete	\$100 • WAS72TZ
Tuscan	Concrete	\$100 • WAS72TU
Sage	Concrete	\$100 • WAS72SG



Brushed Copper Brass



Warm Grey Concrete



Chrome Brass



Matte Black Brass



Warm White Concrete



Terrazzo Concrete



Brushed Nickel Brass



Gun Metal Brass



Tuscan Concrete



Sage Concrete



Urban Brass

RECTANGULAR PLASTIC OVERFLOW RINGS

Suitable for use with:

- Petra Above Counter (RB2173 / RB2173B / RB2174 / RB2177)
- Como Above Counter (7078W)
- Petra Semi Inset (RB4063 / RB2601)
- Reba Semi Inset Basin with Tap Hole (RB4066)



Black
\$10
OVERFLOWSQB



White
\$10
OVERFLOWSQW



To make placing an order a little bit easier, complete the form below and email to: sales@fienza.com.au
We strongly suggest that this form be completed by the Retailer.

Store Details		
COMPANY NAME:	BRANCH NAME (if applicable):	PURCHASE ORDER NUMBER:

Cabinet / Mirror Details		
CABINET / MIRROR CODE:	CABINET / MIRROR NAME:	
COLOUR / FINISH (availability dependent on model, see brochure for details):	MOUNTING: <input type="radio"/> Wall <input type="radio"/> Floor	FILL PANEL (Optional; item code: BF16; add RRP \$49 per panel): <input type="radio"/> One <input type="radio"/> Two <input type="radio"/> N/A
CABINET DRAWER POSITION: <input type="radio"/> Left <input type="radio"/> Right <input type="radio"/> N/A	ALL DRAWER VANITY CABINET - BOTTOM DRAWER PIPE CUT-OUT: <input type="radio"/> Yes <input type="radio"/> No	
OPENING OPTION: <input type="radio"/> Finger-pull (if applicable; availability dependent on model) <input type="radio"/> Handle Style 1 - Code: _____ <input type="radio"/> Handle Style 2 - Code: _____ Please note: Handles are not required if finger-pull option is selected.	HANDLE QUANTITY: Handle Style 1: <input type="radio"/> One <input type="radio"/> Two <input type="radio"/> Three <input type="radio"/> Four <input type="radio"/> Six Handle Style 2: <input type="radio"/> One <input type="radio"/> Two <input type="radio"/> Three <input type="radio"/> Four <input type="radio"/> Six	
	HANDLE POSITION (see brochure for standard handle positions): <input type="radio"/> Standard <input type="radio"/> Other (Complete Custom Positions Form)	

Vanity Top Details (if applicable; for Stone & Timber Tops only)	
MOULDED BASIN-TOP (if applicable; availability dependent on cabinet size, see brochure for details): <input type="radio"/> Delgado Ensuite <input type="radio"/> Dolce <input type="radio"/> Dolce Matte Black <input type="radio"/> Dolce Offset, Left (900 only) <input type="radio"/> Dolce Offset, Right (900 only) <input type="radio"/> Joli <input type="radio"/> Rotondo <input type="radio"/> Satori Concrete	
BENCHTOP (availability dependent on cabinet configuration): <input type="radio"/> Carbon Concrete <input type="radio"/> Sage Concrete <input type="radio"/> Terrazzo Concrete <input type="radio"/> Tuscan Concrete <input type="radio"/> Warm Grey Concrete <input type="radio"/> Hardwood <input type="radio"/> Cloudburst Solid Surface <input type="radio"/> Moonscape Solid Surface <input type="radio"/> Pure White Solid Surface <input type="radio"/> Snowflake Solid Surface <input type="radio"/> Bianco Marble Stone <input type="radio"/> Crystal Pure Stone <input type="radio"/> Nero Vena Stone <input type="radio"/> Polar Sacco Stone <input type="radio"/> Roman Sand Stone <input type="radio"/> Urban Crete Stone	
TAP HOLES (availability for basin-tops dependent on model, see brochure for details): <input type="radio"/> No Tap Holes <input type="radio"/> 1 Tap Hole <input type="radio"/> 3 Tap Holes (Add RRP \$50 per bowl)	
TAP HOLE POSITION: Single Bowl: <input type="radio"/> 10 o'clock <input type="radio"/> 12 o'clock <input type="radio"/> 2 o'clock <input type="radio"/> Other (Complete Custom Positions Form) Double Bowl: <input type="radio"/> Outsides (LH 10 o'clock, RH 2 o'clock) <input type="radio"/> 12 o'clock <input type="radio"/> Insides (LH 2 o'clock, RH 10 o'clock) <input type="radio"/> Other (Complete Custom Positions Form)	

Basin Details (if applicable; for Stone & Timber Tops only)	
BASIN CODE:	BASIN NAME:
BASIN QUANTITY: <input type="radio"/> One <input type="radio"/> Two	BASIN POSITION: <input type="radio"/> Centre <input type="radio"/> Other (Complete Custom Positions Form)
BASIN ACCENTS: <input type="radio"/> Pop-Up Waste - Code: _____ <input type="radio"/> Overflow Ring - Code: _____	BASIN ACCENTS QUANTITY: Pop-Up Waste: <input type="radio"/> One <input type="radio"/> Two Overflow Ring: <input type="radio"/> One <input type="radio"/> Two

Additional Items (please complete a separate order form for each item selected)	
<input type="radio"/> Framed Mirror <input type="radio"/> Mirror Cabinet <input type="radio"/> Display Shelf Mirror Cabinet <input type="radio"/> Wall Cabinet <input type="radio"/> Combination Cabinet <input type="radio"/> Tallboy	

Retailer Approval		
Please check your selections carefully as Fienza cannot be held responsible for incorrect choices. Once the order has been manufactured it cannot be altered or cancelled.		
TOTAL CABINET RRP:	TOTAL BASIN RRP (if applicable):	TOTAL RRP:
COMPLETED BY:	SIGNATURE	DATE:

fienza® AUSTRALIAN MADE COLLECTION CUSTOM POSITIONS FORM

This form must be completed by the Retailer and submitted with a completed Australian Made Cabinets order form.

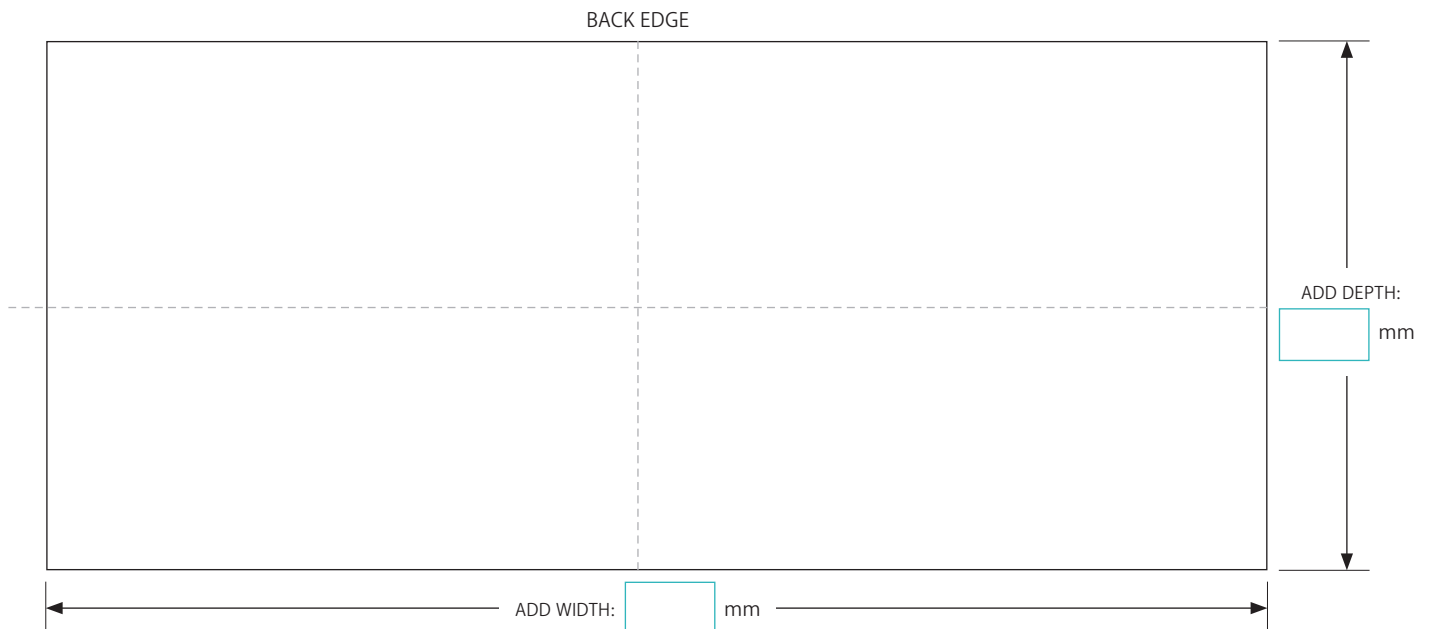
Please note: Custom waste and tap hole cuts may incur additional charges. Email your completed form to: sales@fienza.com.au

Store Details		
COMPANY NAME:	BRANCH NAME (if applicable):	PURCHASE ORDER NUMBER:

Vanity Details		
BENCHTOP COLOUR:	TAP HOLE: <input type="radio"/> Yes <input type="radio"/> No	WASTE HOLE DIAMETER: <input type="radio"/> 64 mm <input type="radio"/> 88 mm

Vanity Top Diagram **IMPORTANT: Please mark waste hole and tap hole positions, along with the required measurements below:**

- Waste Hole Measurements:
1. Mark the distance from the centre of the vanity top to the centre of the waste hole.
 2. Mark the distance from the centre of the waste hole to the back edge of the vanity top.
- Tap Hole Measurements:
3. Mark the distance from the centre of the tap hole to: (a) the side edge of the vanity top; and (b) the back edge of the vanity top



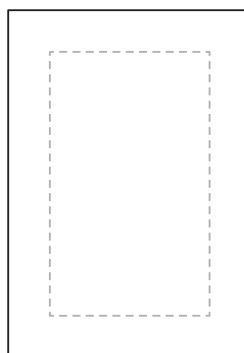
Handle Diagram

Please mark custom handle positions using these cabinet door and drawer diagrams.

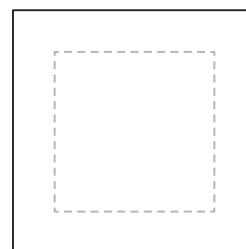
Please note: For off-centre door positions, left and right will be assigned according to door opening.

Refer to page 65 for standard positions.

Door Handles



Drawer Handles



Retailer Approval

Once signed, these cutting specifications are final. Any changes after the order has been processed will require a new order to be submitted. Fienza may not be able to rectify any errors made on this form after the stone/timber has been cut. By signing this form you confirm the accuracy of the information provided.

COMPLETED BY:

SIGNATURE

DATE:



fienza®

Beautiful, quality
Bathware

At Fienza our core passion is to excite you with new, innovative and cutting-edge designer products.

Our commitment to international quality standards has ensured that Fienza continues to be the preferred choice for beautiful bathrooms and kitchens all over Australia.

Fienza® products are available through all leading bathroom, kitchen and plumbing retailers.

For more information, contact us or visit our website:

P (07) 3490 6700

E info@fienza.com.au

www.fienza.com.au

Retailer/Distributor: