

fienza®

 Care Collection



ACCESSIBLE, AMBULANT & ASSISTED LIVING SOLUTIONS

fienza®

Care COLLECTION

Fienza's Care Collection provides an extensive range of solutions for bathroom accessibility, including grab rails, extra height toilets, back rests, inverted-T rail showers, and long lever handle mixers.

Whether you are building a new bathroom, or retrofitting an existing one, we have an extensive range of solutions from the functional to the stylish.



STELLA Care Rail Shower
WELS 3 Star rated, 9L/min
\$290 • 444112

Accessible Grab Rail, 600 mm
\$45 • GRAB60 (GST exempt)

PETRA Right-Hand
Ceramic Wall Basin
\$375 • RB2223R

ALIX Back-To-Wall
Toilet Suite, P-Trap
WELS 4 Star rated, 4.6L/3L
(3.3L average flush)
\$604 • K011P



Contents

CARE KITS

Page 4-5, 11



ACCESSIBLE TOILETS

Page 6-8



AS1428.1 INSTALLATION GUIDE

Page 10



AMBULANT TOILETS

Page 11-13



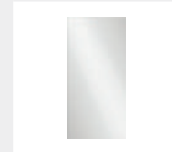
TOILETS FOR ASSISTED LIVING

Page 14-17



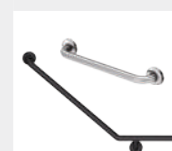
ACCESSIBLE MIRRORS

Page 19



GRAB RAILS

Page 20-21



ACCESSIBLE BASINS

Pages 22-24



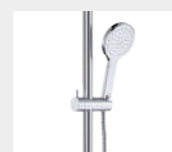
ACCESSIBLE MIXERS

Page 25-29



CARE SHOWERS & SEATS

Page 30-35



All prices are Recommended Retail Prices (RRP) including GST. Prices are subject to change or correction without notification. Consumers should enquire with a retailer for actual pricing. All information is provided on an E&OE basis (Errors and Omissions Excepted). Always check fienza.com.au for the latest, up-to-date product information. Images in this brochure are shown with accessories and/or other furniture which is not included in the price, and such products may not be available within our range.



ACCESSIBLE COMPLIANT DELTA CARE KIT



Fienza's Accessible Delta Care Kit complies with the accessible design requirements detailed in AS1428.1 and features a sleek back-to-wall toilet suite, wash basin and a 90° grab rail.

DELTA CARE KIT WITH LEFT-HAND 90° RAIL

Left-Hand Basin [\\$2450](#) • [CARE4LL](#)
Right-Hand Basin [\\$2450](#) • [CARE4LR](#)

DELTA CARE KIT WITH RIGHT-HAND 90° RAIL

Left-Hand Basin [\\$2450](#) • [CARE4RL](#)
Right-Hand Basin [\\$2450](#) • [CARE4RR](#)

Please note: Products need to be installed as per AS1428.1 guidelines. We take no responsibility in guaranteeing compliance.

Each Care Kit includes components for both P-Trap or S-Trap installation (excludes pan collar). Toilet Roll Holder, Bottle Trap, Towel Ring and Mirror not included.

CONTENTS:

DELTA CARE
Back-to-Wall Toilet Suite
with Grey Seat

[WELS 4 Star rated, 4.5L/3L](#)
[\(3.2L average flush\)](#)
[K013G](#)

Find full specification
on page 6



DELTA CARE Basin
(Left-Hand or Right-Hand)
[RB2275](#)

Find full specification
on page 21



Toilet Suite Back Rest
[200990](#)

Find full specification
on page 6

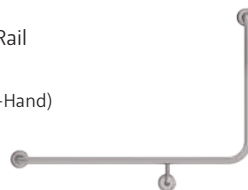


Chrome Pop-Up Waste
with Overflow
[WAS61](#)



90-Degree Grab Rail
960 x 600 mm
(Left-Hand or Right-Hand)
[GRAB9660](#)

Find full specification
on page 20



ISABELLA CARE
Chrome Basin Mixer
[WELS 5 Star rated, 5L/min](#)
[213109D](#)

Find full specification on page 24



450 mm Grab Rail
[GRAB45](#)

Find full specification
on page 20



Toilet Roll Holder, Bottle Trap, Towel Ring
and Mirror not included.



ACCESSIBLE COMPLIANT STELLA LINK CARE KIT



Fienza's Accessible Stella Link Care Kit complies with the accessible design requirements detailed in AS1428.1. It features the option of blue or grey seats on an adjustable link toilet suite.

STELLA LINK CARE KIT WITH LEFT-HAND 40° RAIL

Grey Seat \$1556 • CARE2LG
Blue Seat \$1556 • CARE2L

STELLA LINK CARE KIT WITH RIGHT-HAND 40° RAIL

Grey Seat \$1556 • CARE2RG
Blue Seat \$1556 • CARE2R

Please note: Products need to be installed as per AS1428.1 guidelines. We take no responsibility in guaranteeing compliance.

Each Care Kit includes components for both P-Trap or S-Trap installation (excludes pan collar). Toilet Roll Holder, Bottle Trap, Towel Ring and Mirror not included.

CONTENTS:

STELLA CARE
Adjustable Link Toilet Suite
with Grey or Blue Seat

WELS 4 Star rated, 4.5L/3L
(3.3L average flush)

Grey Seat K001DG

Blue Seat K001D

Find full specification on page 8



STELLA CARE Basin
with Shroud
RB379S

Find full specification
on page 22



Toilet Suite Back Rest
200990

Find full specification
on page 8

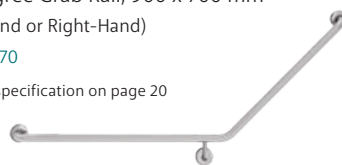


Chrome Pop-Up Waste
with Overflow
WAS61



40-Degree Grab Rail, 900 x 700 mm
(Left-Hand or Right-Hand)
GRAB9070

Find full specification on page 20



STELLA CARE
Chrome Basin Mixer
WELS 5 Star rated, 5L/min
211103D

Find full specification on page 28



450 mm Grab Rail
GRAB45

Find full specification
on page 20



Toilet Roll Holder, Bottle Trap, Towel Ring
and Mirror not included.

Accessible Compliant Toilet Suites

DELTA CARE BACK-TO-WALL TOILET SUITE

Grey Seat

P-Trap \$1495 • K013GP

S-Trap 90-280 \$1530 • K013GA

Blue Seat

P-Trap \$1495 • K013P

S-Trap 90-280 \$1530 • K013A

- Can be installed for AS1428.1 Accessible Compliance
- Rimless hygienic flush
- Gloss white finish on pan and cistern
- Large, raised flush buttons (chrome or blue)
- Concealed design for easy cleaning
- Single flap seat (grey or blue)
- High quality, R&T flush mechanism
- Top or bottom inlets:
 - Left top inlet
 - Left or right bottom inlet (cannot use both at the same time)
- Available as P-Trap 180 mm, or S-Trap with vario-bend 90-280 mm connector
- WELS 4 Star rated, 4.5L/3L (3.2L average flush)



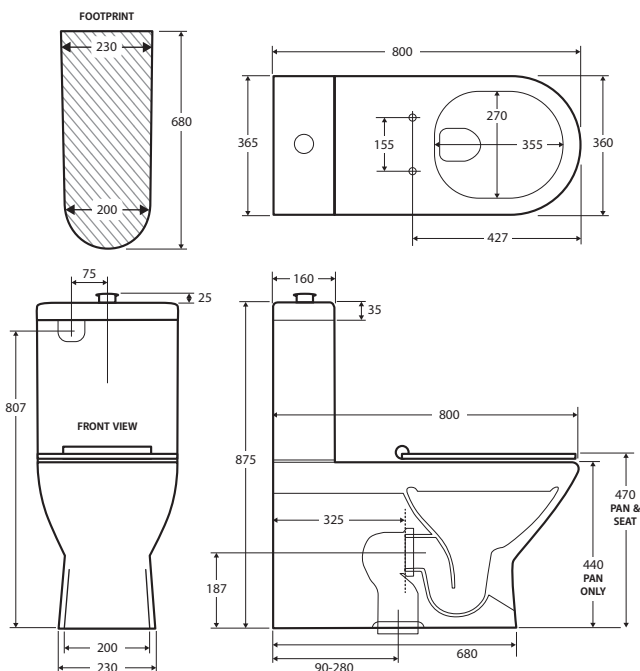
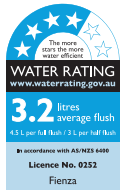
Rimless



Extra Height



Accessible Compliant



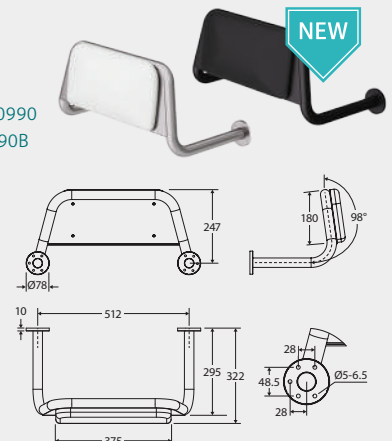
TOILET BACK REST

Stainless Steel \$299* • 200990

Matte Black \$440* • 200990B

- Can be installed to comply with AS1428.1
- Frame made from 304 stainless steel
- Concealed fittings
- Wall mounting screws included

*GST exempt



ISABELLA CARE WALL-FACED TOILET

Pan and Grey Seat

P-Trap \$1064 • K016G-PS

S-Trap \$1099 • K016GA-PS

Pan and Blue Seat

P-Trap \$1064 • K016-PS

S-Trap \$1099 • K016A-PS

- Can be installed for AS1428.1 Accessible Compliance
- Rimless hygienic flush
- Gloss white finish on pan
- Concealed design for easy cleaning
- Single flap seat (grey or blue)
- Available as P-Trap or S-Trap
- WELS 4 Star rated, 4.4L/3L (3.3L average flush) when used with an R&T cistern

Please note: Cistern and flush plates required (not included in price)



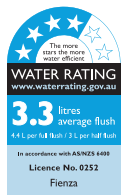
Rimless



Extra Height



AS1428.1
Accessible Compliant



TOILET & CISTERN PACKAGES



ISABELLA CARE Pan & Seat + R&T Pneumatic In-Wall Cistern

Grey Seat, Chrome Buttons

P-Trap \$1614 • K016G-RT

S-Trap \$1649 • K016GA-RT

Grey Seat, Gloss White Buttons

P-Trap \$1614 • K016G-RTW

S-Trap \$1649 • K016GA-RTW

Blue Seat, Chrome Buttons

P-Trap \$1614 • K016-RT

S-Trap \$1649 • K016A-RT

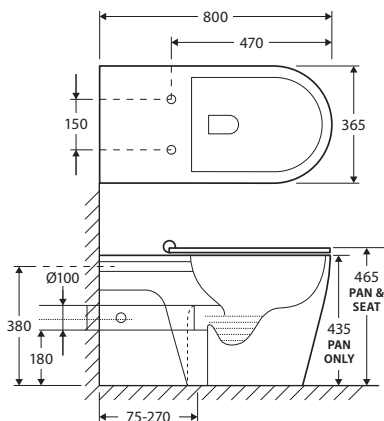
Blue Seat, Gloss White Buttons

P-Trap \$1614 • K016-RTW

S-Trap \$1649 • K016A-RTW



- Front actuators only
- Includes Chrome or Gloss White Care flush buttons
- WELS 4 Star rated, 4.4L/3L (3.3L average flush)



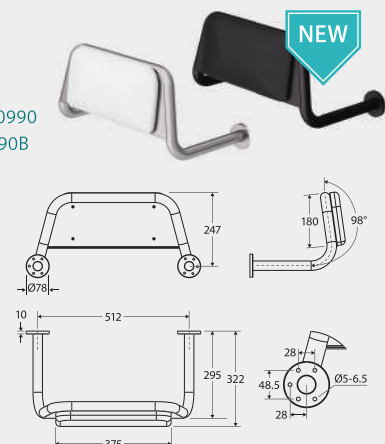
TOILET BACK REST

Stainless Steel \$299* • 200990

Matte Black \$440* • 200990B

- Can be installed to comply with AS1428.1
- Frame made from 304 stainless steel
- Concealed fittings
- Wall mounting screws included

*GST exempt



STELLA CARE ADJUSTABLE LINK TOILET SUITE

Grey Seat
\$649 • K001DG

Blue Seat
\$649 • K001D

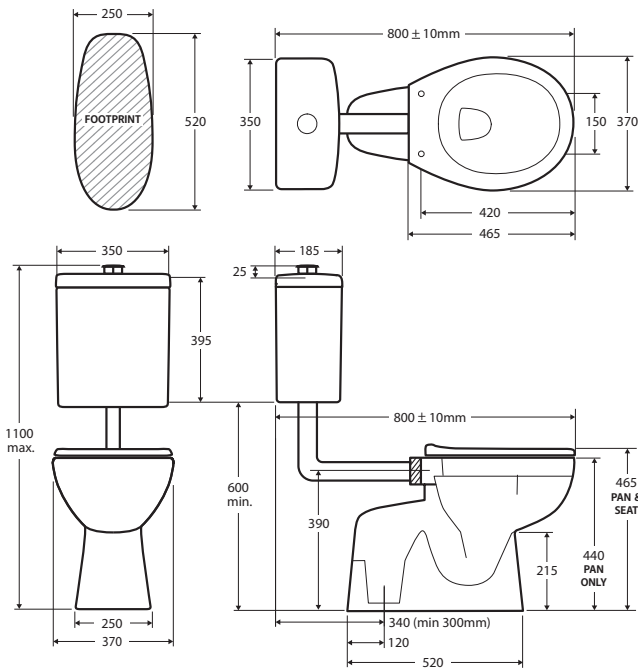
- Can be installed for AS1428.1 Accessible Compliance
- Extra height pan
- Gloss white finish on pan and cistern
- Large raised flush buttons
- Single flap seat
- High quality, R&T flush mechanism
- Left or right bottom inlet
- Concealed S-Trap only
- Includes concealed floor fixing screws
- WELS 4 Star rated, 4.5L/3L (3.3L average flush)



Extra Height



AS1428.1
Accessible
Compliant

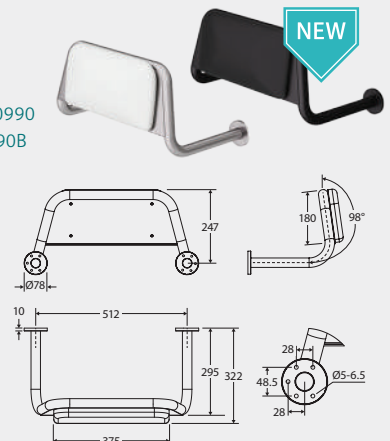


TOILET BACK REST

Stainless Steel \$299* • 200990
Matte Black \$440* • 200990B

- Can be installed to comply with AS1428.1
- Frame made from 304 stainless steel
- Concealed fittings
- Wall mounting screws included

*GST exempt



Ambulant Compliant Toilet Kit



ALIX AMBULANT TOILET CARE KIT

Fienza's Alix Ambulant Toilet Care Kit complies with the ambulant design requirements detailed in AS1428.1.

Back-to-wall toilet suite with extra height pan (450 mm) for ease of use.

Both 90-degree grab rails are made from 304 stainless steel and include rubber hygiene seals.

P-Trap \$774 • CARE3P
S-Trap 90-160 \$809 • CARE3A
S-Trap 160-230 \$824 • CARE3B

CONTENTS

ALIX Back-to-Wall Toilet Suite
WELS 4 Star rated, 4.6L/3L
(3.3L average flush)
K011

Find full specification
on page 12



90° Grab Rail x 2
GRAB4545

Find full specification
on page 20

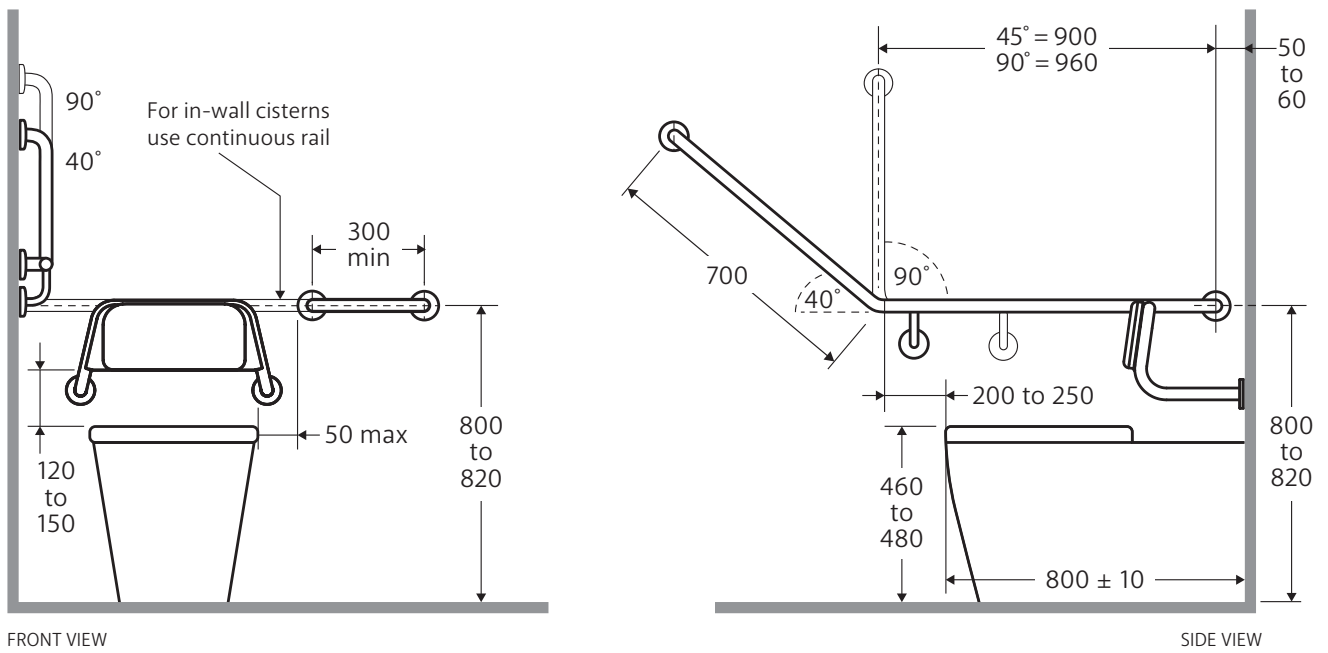


Installation Guides

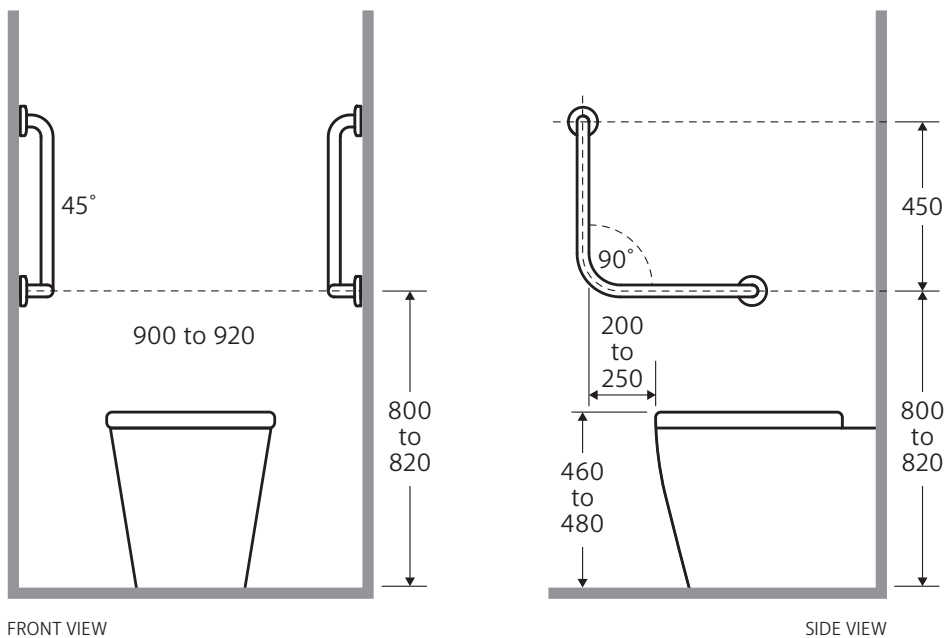
AS1428.1 ACCESSIBLE COMPLIANT TOILET INSTALLATION GUIDE



IMPORTANT: This information is supplied as a brief guide only and is based on AS1428.1:2021. For more detailed information, please refer to AS1428.1:2021. Independent assessment and approval must be undertaken by suitably qualified consultants to ensure compliance with the Australian Standards and any applicable building codes.



AS1428.1 AMBULANT COMPLIANT TOILET RAILS INSTALLATION GUIDE



Ambulant Compliant Toilet Suites

ALIX WALL-FACED TOILET SUITE

NEW

Standard Seat

P-Trap \$520 • K025-PS
S-Trap \$570 • K025A-PS

Slim Seat

P-Trap \$545 • K025-PS-2
S-Trap \$595 • K025A-PS-2

- Can be installed for AS1428.1 Ambulant Compliance
- Rimless hygienic flush
- Extra height pan
- Short projection from wall for small spaces
- Gloss white finish
- Concealed design for easy cleaning
- UF quick release soft close seat
- Can be installed as P-Trap or S-Trap
- Stainless steel hinges and floor mounting screws included
- WELS 4 Star rated, 4.6L/3L (3.4L average flush) when used with R&T cistern



TOILET & CISTERN PACKAGES



ALIX Pan & Seat + R&T In-Wall Cistern

Standard Seat

P-Trap \$830 • K025-RT
S-Trap \$880 • K025A-RT

Slim Seat

P-Trap \$855 • K025-RT-2
S-Trap \$905 • K025A-RT-2



- Front actuators only
- WELS 4 Star rated, 4.6L/3L (3.4L average flush)

Please note: Cistern and flush plates required (not included in price)



ALIX Pan & Seat + Geberit SIGMA In-Wall Cistern

P-Trap \$1030* • K025-GE
S-Trap \$1080* • K025A-GE

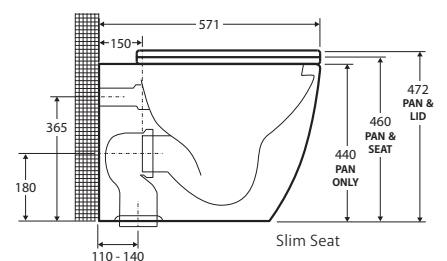
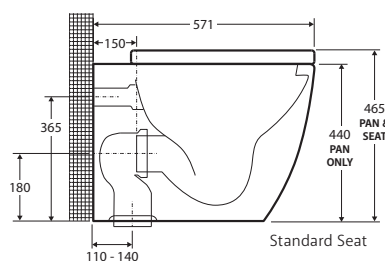
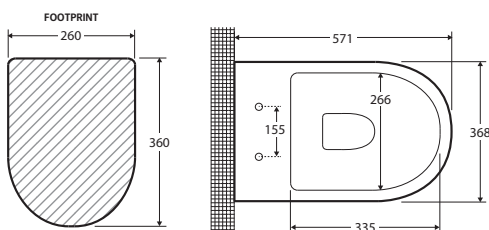
- Front actuators only
- WELS 4 Star rated, 4.5L/3L (3.5L average flush)



ALIX Pan & Seat + Geberit KAPPA Under-Counter Cistern

P-Trap \$1030* • K025-GK
S-Trap \$1080* • K025A-GK

- Front or top actuators
- WELS 4 Star rated, 4.5L/3L (3.5L average flush)



ALIX

BACK-TO-WALL TOILET SUITE

White Seat

- P-Trap \$604 • K011P
- S-Trap 90-160 \$639 • K011A
- S-Trap 160-230 \$654 • K011B

Grey Seat

- P-Trap \$604 • K011GP
- S-Trap 90-160 \$639 • K011GA
- S-Trap 160-230 \$654 • K011GB



Grey Seat Option

- Can be installed for AS1428.1 Ambulant Compliance
- Rimless hygienic flush
- Extra height pan
- Short projection from wall for small spaces
- Gloss white finish
- Concealed design for easy cleaning
- White or grey UF quick release, soft close seat
- Large, easy-push chrome flush buttons
- High quality, R&T flush mechanism
- Top or bottom inlets:
 - Left top inlet
 - Left or right bottom inlet
- Available as P-Trap or S-Trap
- WELS 4 Star rated, 4.6L/3L (3.3L average flush)



Ambulant Compliant



Rimless



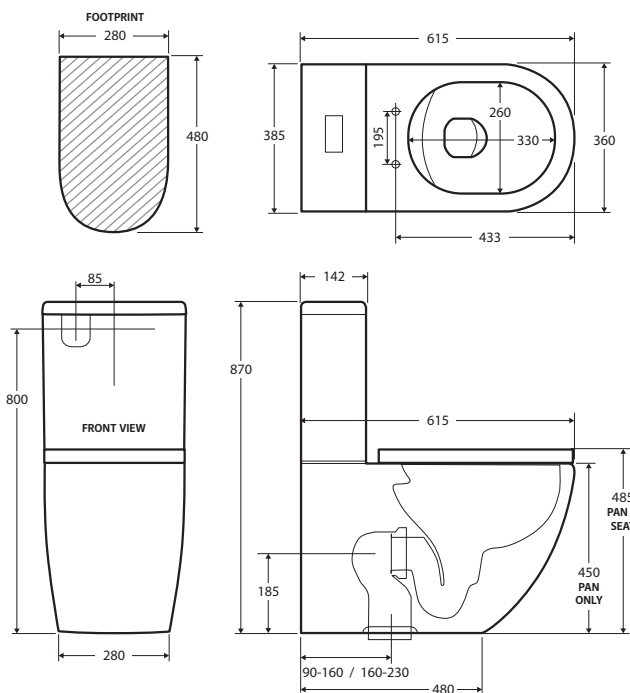
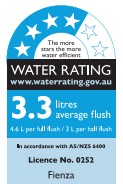
Extra Height



Short Projection



Soft Close



CUSTOMISE WITH OPTIONAL ACCENTS

Flush Buttons

- Gloss White \$30 • 200784W
- Matte Black \$30 • 200784
- PVD Brushed Nickel \$30 • 200784BN
- PVD Gun Metal \$45 • 200784GM
- PVD Urban Brass \$45 • 200784UB

Seat Hinge Covers

- Matte White \$25 • 202069MW
- Matte Black \$25 • 202069

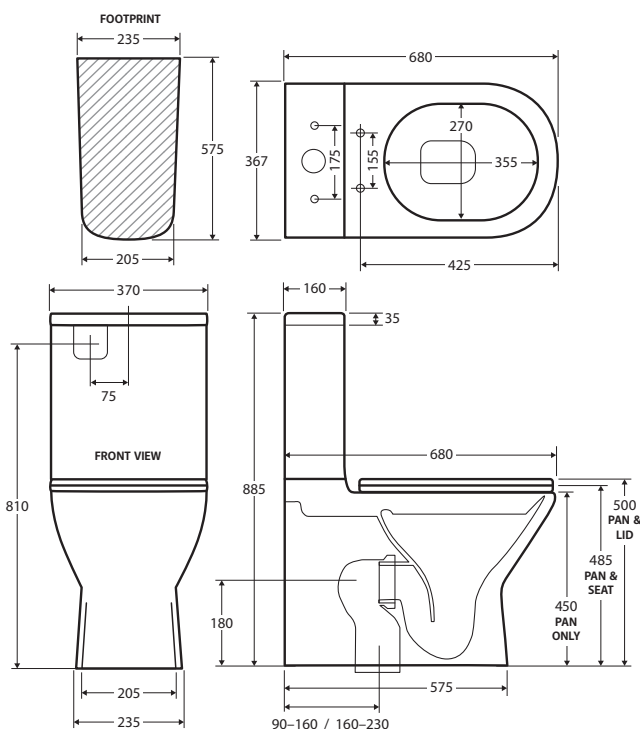


Toilet Suites for *Assisted* Living

DELTA BACK-TO-WALL TOILET SUITE

P-Trap \$614 • K005P
S-Trap 90-160 \$649 • K005A
S-Trap 160-230 \$664 • K005B

- Hygienic, Nano-Glaze protection
- Rimless hygienic flush
- Extra height pan
- Gloss white finish
- Large, easy-push chrome flush buttons
- Concealed design for easy cleaning
- UF quick release, soft close seat
- High quality, R&T flush mechanism
- Stainless steel hinges and floor mounting screws included
- Top or bottom inlets:
 - Left top inlet
 - Left or right bottom inlet
- Available as P-Trap or S-Trap
- WELS 4 Star rated, 4.5L/3L (3.3L average flush)



CUSTOMISE WITH OPTIONAL ACCENTS

Flush Buttons

- Gloss White \$30 • 200784W
- Matte Black \$30 • 200784
- PVD Brushed Nickel \$30 • 200784BN
- PVD Gun Metal \$45 • 200784GM
- PVD Urban Brass \$45 • 200784UB

Seat Hinge Covers

- Matte White \$25 • 202069MW
- Matte Black \$25 • 202069



KAYA® BACK-TO-WALL TOILET SUITE

Standard Seat

- P-Trap \$539 • K021P-1
- S-Trap 90-160 \$574 • K021A-1
- S-Trap 160-230 \$589 • K021B-1

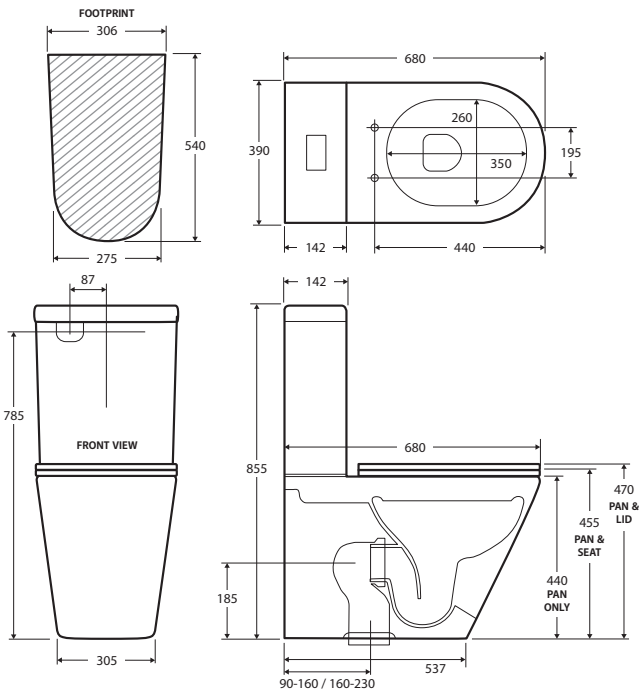
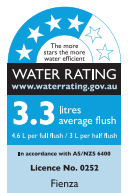
Slim Seat

- P-Trap \$564 • K021P
- S-Trap 90-160 \$599 • K021A
- S-Trap 160-230 \$614 • K021B

- Rimless hygienic flush
- Extra height pan
- Gloss white finish
- Large, easy-push chrome flush buttons
- Concealed design for easy cleaning
- UF quick release, soft close standard or slim seat
- High quality, R&T flush mechanism
- Top or bottom inlets:
 - Left top inlet
 - Left or right bottom inlet
- Available as P-Trap or S-Trap
- WELS 4 Star rated, 4.6L/3L (3.3L average flush)



Slim Seat Option



CUSTOMISE WITH OPTIONAL ACCENTS

Flush Buttons

- Gloss White \$30 • 200784W
- Matte Black \$30 • 200784
- PVD Brushed Nickel \$30 • 200784BN
- PVD Gun Metal \$45 • 200784GM
- PVD Urban Brass \$45 • 200784UB

Seat Hinge Covers

- Matte White \$25 • 202069MW
- Matte Black \$25 • 202069



RAK RESORT

BACK-TO-WALL TOILET SUITE

Bottom Inlet:

P-Trap \$669 • 385447W

S-Trap 90-200 \$699 • 385447WA

Please note: Left OR right bottom inlet
(cannot use both at the same time).

Top Inlet:

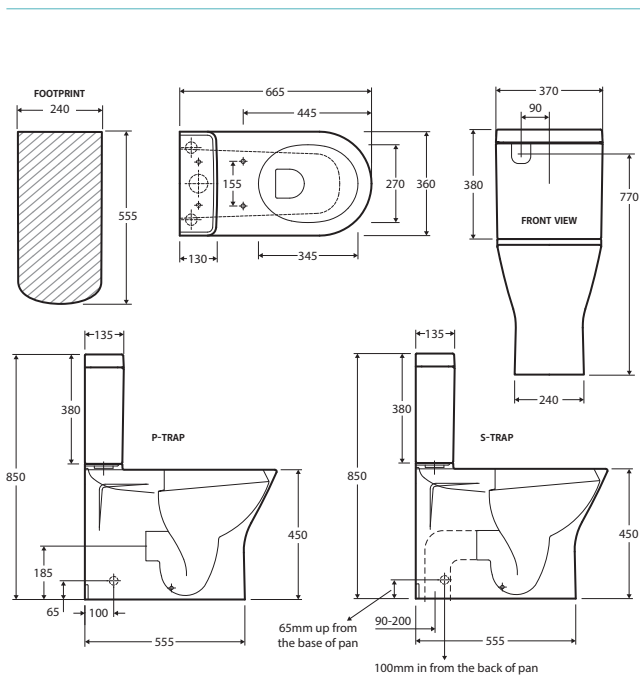
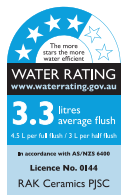
P-Trap \$669 • 406047W

S-Trap 70-160 \$699 • 406047WA

- Rimless hygienic flush
- Extra height pan
- Alpine white finish
- Chrome flush buttons
- Concealed design for easy cleaning
- Soft close seat
- High quality, Geberit flush mechanism
- Top or bottom inlets:
 - Left top inlet
 - Left or right bottom inlet
- Available as P-Trap or S-Trap 90-200
- Includes concealed floor fixing kit
- WELS 4 Star rated, 4.5L/3L (3.3L average flush)



ASSISTED TOILETS



DELTA CARE WHITE BACK-TO-WALL TOILET SUITE

Raised, Chrome Flush Buttons

P-Trap \$1495 • K013WP

S-Trap 90-280 \$1530 • K013WA

Slim, Chrome Flush Buttons

P-Trap \$1495 • K013WP-SB

S-Trap 90-280 \$1530 • K013WA-SB

- Rimless hygienic flush
- Gloss white finish
- Large, raised chrome flush buttons or slim, chrome flush buttons
- Concealed design for easy cleaning
- Single flap white seat
- High quality, R&T flush mechanism
- Top or bottom inlets:
 - Left top inlet
 - Left or right bottom inlet (cannot use both at the same time)
- Available as P-Trap 180 mm, or S-Trap with vario-bend 90-280 mm connector
- WELS 4 Star rated, 4.5L/3L (3.2L average flush)



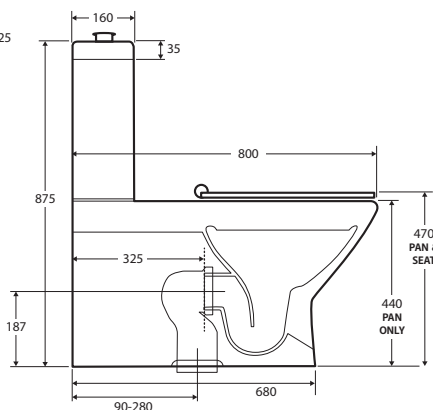
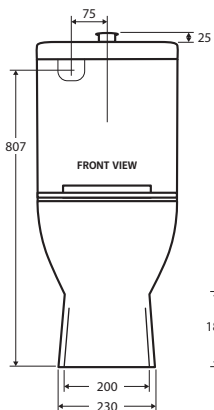
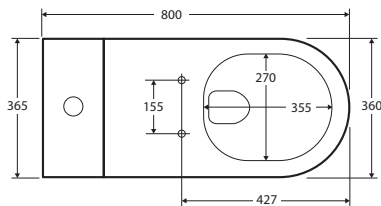
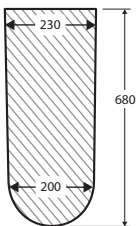
Rimless



Extra Height



FOOTPRINT



Slim, Chrome Flush Button Option

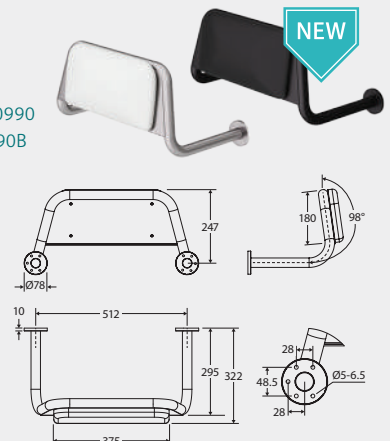
TOILET BACK REST

Stainless Steel \$299* • 200990

Matte Black \$440* • 200990B

- Can be installed to comply with AS1428.1
- Frame made from 304 stainless steel
- Concealed fittings
- Wall mounting screws included

*GST exempt



ISABELLA CARE WALL-FACED TOILET

Pan and White Seat

P-Trap \$1044* • K016W-PS

S-Trap \$1079* • K016WA-PS

- Rimless hygienic flush
- Gloss white finish on pan
- Concealed design for easy cleaning
- Single flap gloss white seat
- Available as P-Trap or S-Trap
- WELS 4 Star rated, 4.4L/3L (3.3L average flush) when used with an R&T cistern

Please note: Cistern and flush plates required (not included in price)



Rimless



Extra Height



TOILET & CISTERN PACKAGES



ISABELLA CARE Pan & Seat +
R&T Pneumatic In-Wall Cistern

Chrome Buttons

P-Trap \$1594 • K016W-RT

S-Trap \$1629 • K016WA-RT

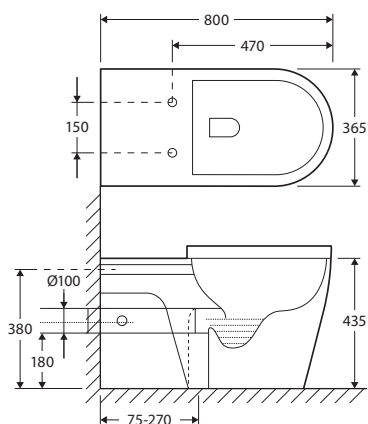
Gloss White Buttons

P-Trap \$1594 • K016W-RTW

S-Trap \$1629 • K016GWA-RTW



- Front actuators only
- Includes Chrome or Gloss White Care flush buttons
- WELS 4 Star rated, 4.4L/3L (3.3L average flush)



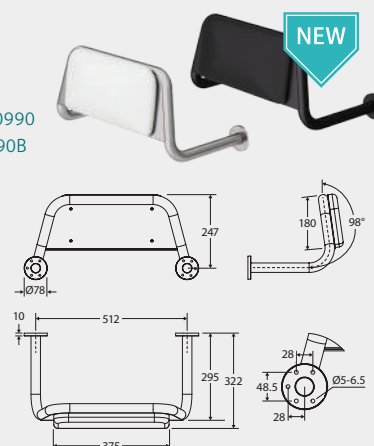
TOILET BACK REST

Stainless Steel \$299* • 200990

Matte Black \$440* • 200990B

- Can be installed to comply with AS1428.1
- Frame made from 304 stainless steel
- Concealed fittings
- Wall mounting screws included

*GST exempt



STELLA SENIOR ADJUSTABLE LINK TOILET SUITE

\$449 • K001S

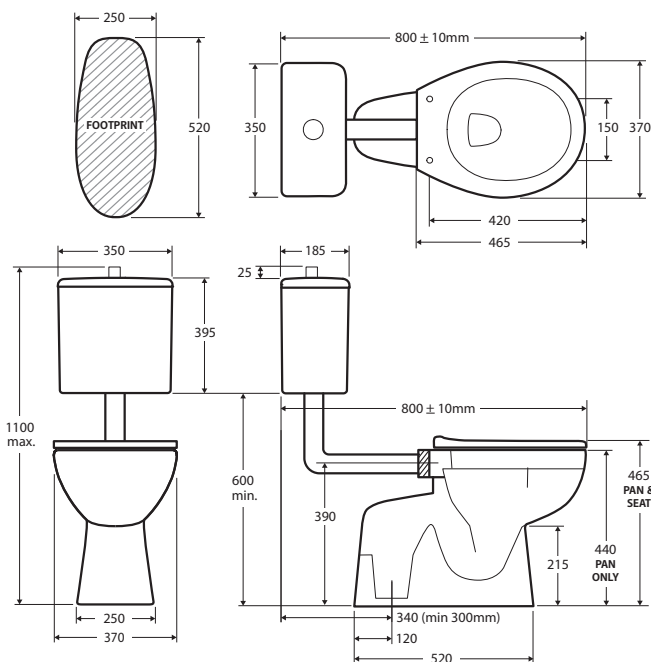
- Extra height, boxed rim pan
- Gloss white finish
- Chrome, easy-push flush buttons
- UF soft close seat
- Seat connector and flush pipe included
- High quality, R&T flush mechanism
- Left or right bottom inlet
- Concealed S-Trap only, 300-340 mm set-out
- Concealed floor fixing screws
- WELS 4 Star rated, 4.4L/3.09L (3.3L average flush)



Soft Close



Extra Height



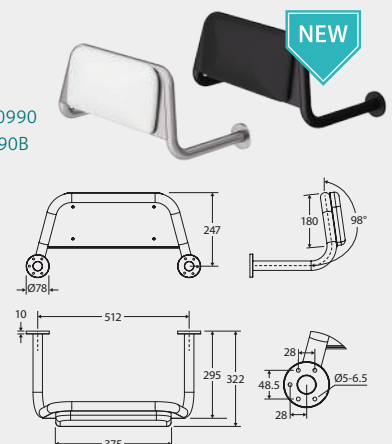
Flush Buttons

TOILET BACK REST

Stainless Steel \$299* • 200990
Matte Black \$440* • 200990B

- Can be installed to comply with AS1428.1
- Frame made from 304 stainless steel
- Concealed fittings
- Wall mounting screws included

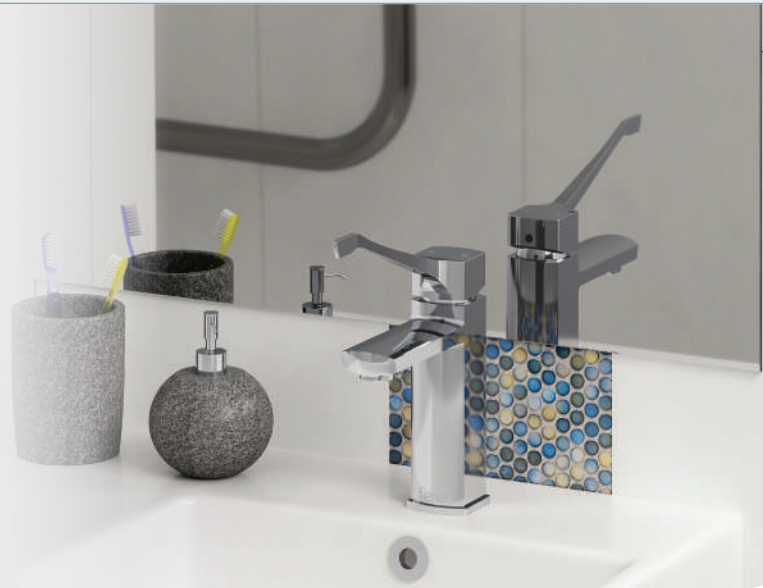
*GST exempt



Accessible Compliant *Mirrors*

Fienza's range of Care mirrors can be installed to comply with AS1428.1 for use in commercial bathrooms.

The 5mm pencil edge glass has a copper free construction to prevent corrosion. Our Care mirrors are quick and easy to install by simply gluing onto the wall.



RECTANGULAR MIRRORS



Accessible Compliant



450 x 950 mm
\$420 • PEM-4595



600 x 950 mm
\$500 • PEM-6095



900 x 950 mm
\$600 • PEM-9095

ARCH MIRRORS



Accessible Compliant



450 x 1175 mm
\$449 • PEM45117A



600 x 1250 mm
\$499 • PEM60125A



Grab Rails

- Manufactured to comply with relevant grab rail requirements for AS1428.1:2021 Access and Mobility
- Constructed to withstand 1100N (110 kg) force as per requirements
- Made from 304 stainless steel
- Concealed fixings
- Rubber hygiene seals
- Wall mounting screws included



ACCESSIBLE GRAB RAILS



Accessible Compliant

300 mm

Satin Stainless Steel \$36* • GRAB30

PVD Matte Black \$89* • GRAB30MB

450 mm

Satin Stainless Steel \$40* • GRAB45

PVD Matte Black \$99* • GRAB45MB

600 mm

Satin Stainless Steel \$45* • GRAB60

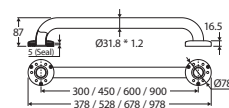
PVD Matte Black \$110* • GRAB60MB

900 mm

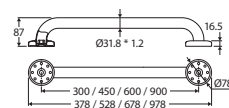
Satin Stainless Steel \$65* • GRAB90

PVD Matte Black \$129* • GRAB90MB

*GST exempt



Satin Stainless Steel Fixing



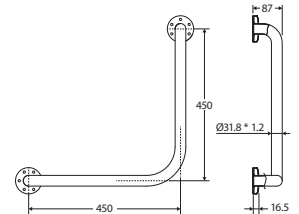
PVD Matte Black Fixing

90° AMBULANT GRAB RAIL

450 x 450 mm

Satin Stainless Steel \$85* • GRAB4545
PVD Matte Black \$165* • GRAB4545MB

*GST exempt



Ambulant Compliant

90° ACCESSIBLE GRAB RAIL

- Satin Stainless Steel: 5-fixing point bracket
- PVD Matte Black: 8-fixing point bracket

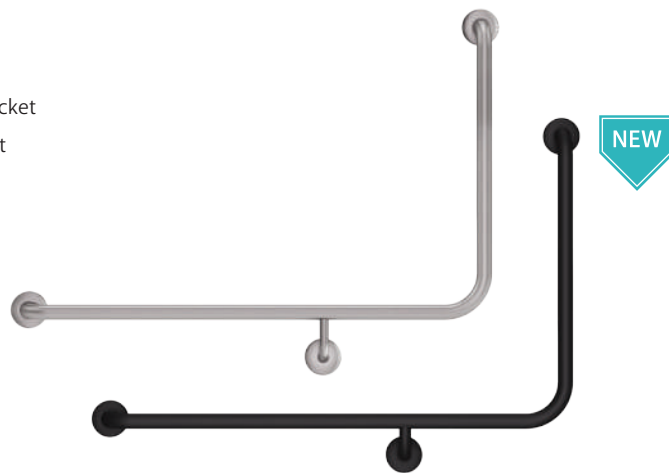
Left-Hand 960 x 600 mm

Satin Stainless Steel \$182* • GRAB9660L
PVD Matte Black \$299* • GRAB9660LMB

Right-Hand 960 x 600 mm

Satin Stainless Steel \$182* • GRAB9660R
PVD Matte Black \$299* • GRAB9660RMB

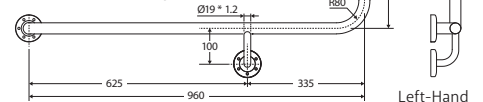
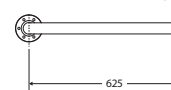
*GST exempt



PVD Matte Black Fixing



Satin Stainless Steel Fixing



Accessible Compliant

40° ACCESSIBLE GRAB RAIL

- Satin Stainless Steel: 5-fixing point bracket
- PVD Matte Black: 8-fixing point bracket

Left-Hand 900 + 700 mm

Satin Stainless Steel \$175* • GRAB9070L
PVD Matte Black \$299* • GRAB9070LMB

Right-Hand 900 + 700 mm

Satin Stainless Steel \$175* • GRAB9070R
PVD Matte Black \$299* • GRAB9070RMB

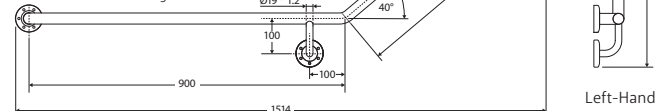
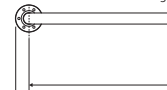
*GST exempt



PVD Matte Black Fixing



Satin Stainless Steel Fixing



Accessible Compliant

Accessible Compliant *Basins*

Fienza's range of Care wall basins can be installed to comply with AS1428.1 for use in commercial bathrooms.

Semi-recessed basins can also be installed to comply with AS1428.1 if accompanied with a compliant counter design.



DELTA CARE WALL BASINS

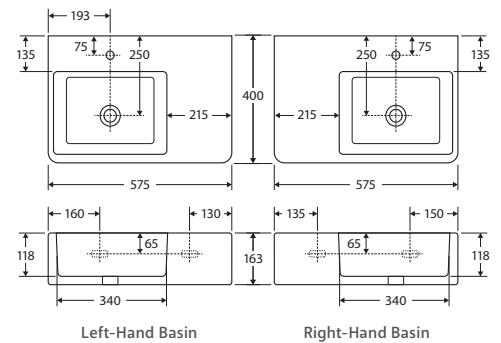
Left-Hand \$349 • RB2275L

Right-Hand \$349 • RB2275R

- Can be installed for AS1428.1 Accessible compliance
- Ideal for small bathrooms or powder rooms
- Gloss white vitreous china
- One tap hole, with overflow
- Requires 32 mm overflow waste (not included)
- Wall mounting bolts included
- Capacity: 5.3 litres



Accessible Compliant



PETRA 800 WALL BASINS

Left-Hand \$749 • RB1603L

Right-Hand \$749 • RB1603R

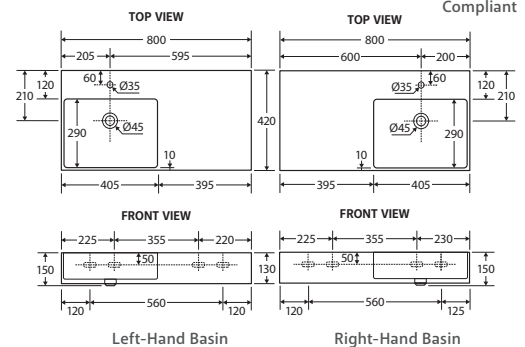
- Can be installed for AS1482.1:2021 Accessible compliance
- Large integrated shelf
- Gloss white vitreous china
- One tap hole, with overflow
- Requires 32 mm overflow waste (not included)
- Chrome overflow ring and wall mounting bolts included
- Capacity: 6.5 litres



NEW



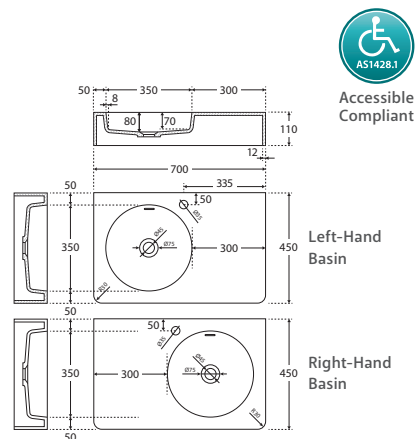
Accessible Compliant



ENCANTO 700 WALL BASINS

Left-Hand \$699 • CSB11-70L
Right-Hand \$699 • CSB11-70R

- Can be installed for AS1428.1 Accessible compliance
- Matte white cast stone solid surface
- One tap hole
- Requires 32 mm overflow waste (not included)
- Wall mounting bolts included

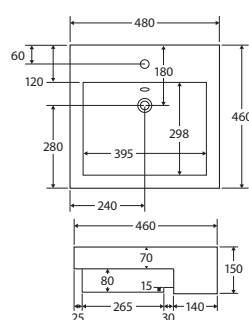


Accessible
Compliant

JACINTA SEMI-RECESSED BASIN

1 tap hole \$199 • RB8050J
3 tap holes \$249 • RB8050J-3

- Can be installed for AS1428.1 Accessible Compliance
- Gloss white vitreous china
- Glazed on the back side
- One or three tap holes, with overflow
- Requires 32 mm overflow waste (not included)
- Capacity: 7 litres



Accessible
Compliant



See CARE Mixers on
pages on pages 25-29

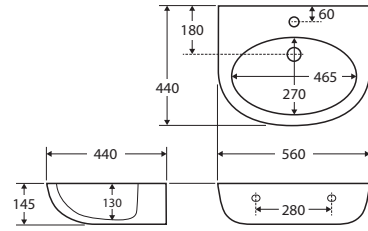
STELLA CARE WALL BASIN

No Shroud

1 tap hole \$189 • RB379

3 tap holes \$239 • RB379-3

- Can be installed for AS1428.1 Accessible Compliance
- Gloss white vitreous china
- One or three tap holes, with overflow
- Requires 32 mm overflow waste (not included)
- Wall mounting bolts included
- Capacity: 6.3 litres

Accessible
Compliant

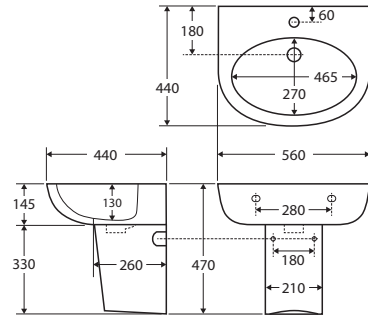
STELLA CARE WALL BASIN

With Integral Shroud

1 tap hole \$275 • RB379S

3 tap holes \$325 • RB379S-3

- Can be installed for AS1428.1 Accessible Compliance
- Gloss white vitreous china
- One or three tap holes, with overflow
- Requires 32 mm overflow waste (not included)
- Wall mounting bolts included
- Capacity: 6.3 litres

Accessible
Compliant

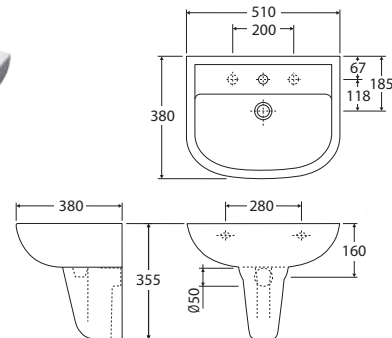
RAK X500 WALL BASIN

With Integral Shroud

1 tap hole \$649 • 601801W

3 tap holes \$649 • 601803W

- Can be installed for AS1428.1 Accessible Compliance
- Gloss white vitreous china
- One or three tap holes, no overflow
- Requires 32 mm non-overflow waste (not included)
- Kee seal and wall-mounting bolts included
- Capacity: 7.2 litres

Accessible
Compliant

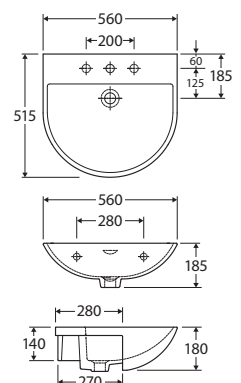
Made in UAE

RAK
CERAMICSRAK RESERVA
SEMI-RECESSED BASIN

1 tap hole \$349 • 606601W

3 tap holes \$379 • 606603W

- Can be installed for AS1428.1 Accessible Compliance
- Gloss white vitreous china
- One or three tap holes, with overflow
- Requires 32 mm overflow waste (not included)
- Capacity: 7 litres

Accessible
Compliant

Made in UAE

RAK
CERAMICS

Accessible Compliant *Mixers*

ISABELLA CARE



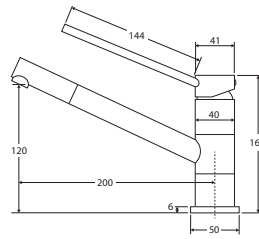
- Can be installed for AS1428.1 Accessible Compliance
- Long pin-lever handle
- Electroplated chrome finish
- Made from solid brass
- High quality European cartridge (35 mm)
- PEX split-resistant hoses

Please note: These products may have a visible Fienza or Watermark logo.

ISABELLA CARE SWIVEL SINK MIXER

\$259 • 213110D

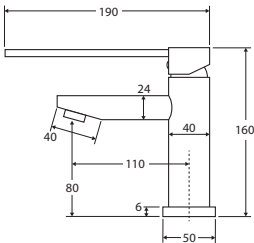
- Long handle for easy reach and operation
- Swivel function
- Designed for kitchen
- WELS 4 Star rated, 6.5L/min



ISABELLA CARE BASIN MIXER

\$199 • 213109D

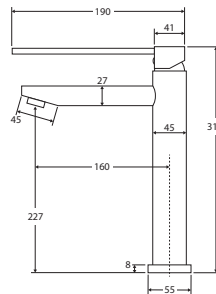
- Long handle for easy reach and operation
- Fixed position
- WELS 5 Star rated, 5L/min



ISABELLA CARE TALL BASIN MIXER

\$248 • 213107D

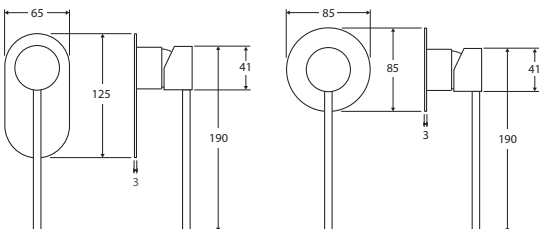
- Long handle for easy reach and operation
- Fixed position
- WELS 5 Star rated, 5L/min



ISABELLA CARE WALL MIXER

Oval Plate \$169 • 213101D
Round Plate \$209 • 213101D-2

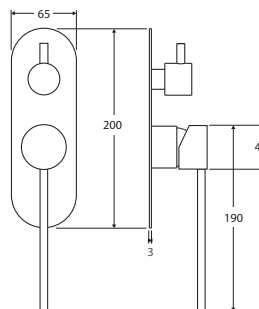
- Long handle for easy reach and operation
- Designed for shower and bath
- WELS rating not required



ISABELLA CARE WALL DIVERTER MIXER

\$209 • 213102D

- Long handle for easy reach and operation
- Designed for shower and bath
- WELS rating not required



HUSTLE CARE

- Can be installed for AS1428.1 Accessible Compliance
- Long, pin-lever handle
- Electroplated matte black finish
- Made from solid brass
- High quality European cartridge (35 mm)
- PEX split-resistant hoses

Please note: These products may have a visible Fienza or Watermark logo.

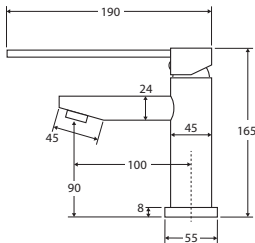


See matching CARE Showers on pages 30 & 35

HUSTLE CARE BASIN MIXER

\$248 • 225103D

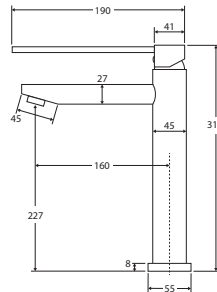
- Long handle for easy reach and operation
- Fixed position
- WELS 5 Star rated, 5L/min



HUSTLE CARE TALL BASIN MIXER

\$348 • 225107D

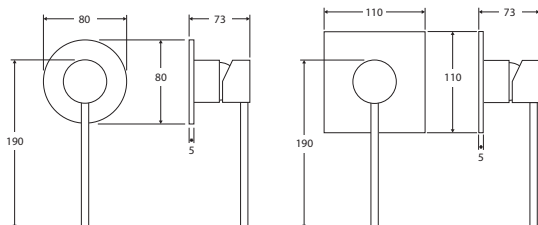
- Long handle for easy reach and operation
- Fixed position
- WELS 5 Star rated, 5L/min



HUSTLE CARE WALL MIXER

Round Plate \$248 • 225101AD
Square Plate \$248 • 225101BD

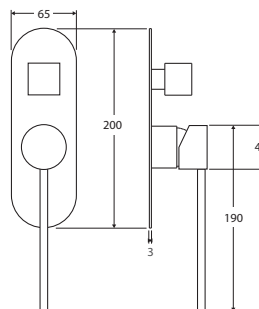
- Long handle for easy reach and operation
- Designed for shower and bath
- WELS rating not required



HUSTLE CARE WALL DIVERTER MIXER

\$348 • 225102D

- Long handle for easy reach and operation
- Designed for shower and bath
- WELS rating not required



STELLA CARE



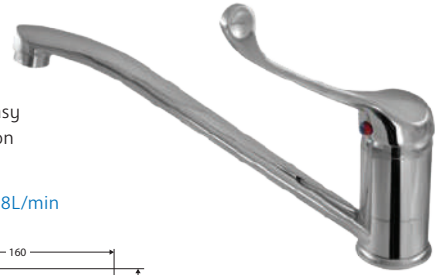
Accessible Compliant

- Can be installed for AS1428.1 Accessible Compliance
- Electroplated chrome finish
- Made from solid brass
- 40mm cartridges
- PEX split-resistant hoses

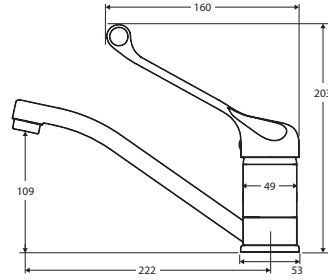
Please note: These products may have a visible Fienza or Watermark logo.

STELLA CARE SINK MIXER

\$109 • 211105D



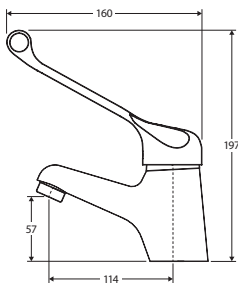
- Long handle for easy reach and operation
- Swivel function
- WELS 3 Star rated, 8L/min



STELLA CARE BASIN MIXER

\$109 • 211103D

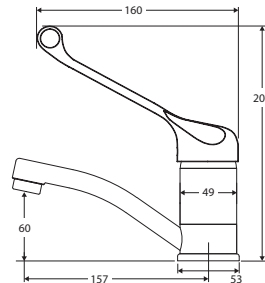
- Long handle for easy reach and operation
- Fixed position
- WELS 5 Star rated, 5L/min



STELLA CARE SWIVEL BASIN MIXER

\$109 • 211104D

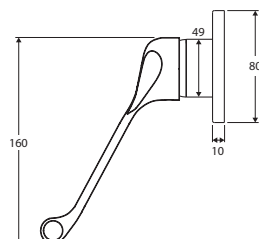
- Long handle for easy reach and operation
- Swivel function
- WELS 3 Star rated, 8L/min



STELLA CARE WALL MIXER

\$109 • 211101D

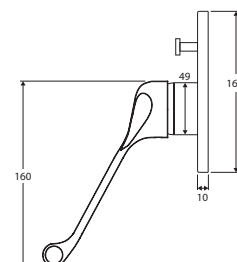
- Long handle for easy reach and operation
- Designed for shower and bath
- WELS rating not required



STELLA CARE WALL DIVERTER MIXER

\$140 • 211102D

- Long handle for easy reach and operation
- Designed for shower and bath
- WELS rating not required



KOKO® CARE

- Can be installed for AS1428.1 Accessible Compliance
- Sleek, soft-square design
- Electroplated chrome or matte black finishes
- Made from solid brass
- High quality European cartridges (35 mm)
- PEX split-resistant hoses

Please note: These products may have a visible Fienza or Watermark logo.



KOKO® CARE BASIN MIXER

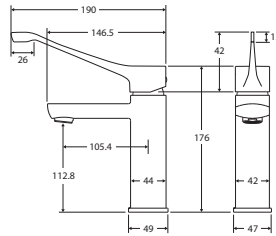
- Long handle for easy reach and operation
- Fixed position
- Available in three sizes
- [WELS 5 Star rated, 5L/min](#)



Matte Black includes chrome trim kit

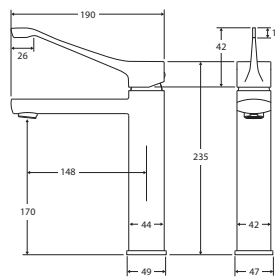
Basin Mixer

Chrome \$260 • 218103D
Matte Black \$350 • 218103BD



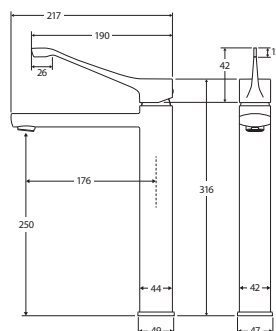
Medium Basin Mixer

Chrome \$369 • 218109D
Matte Black \$470 • 218109BD



Tall Basin Mixer

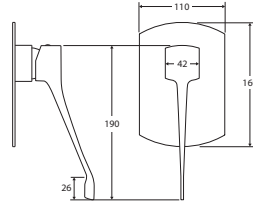
Chrome \$430 • 218107D
Matte Black \$510 • 218107BD



KOKO® CARE WALL MIXER

Chrome \$230 • 218101D
 Matte Black \$289 • 218101BD

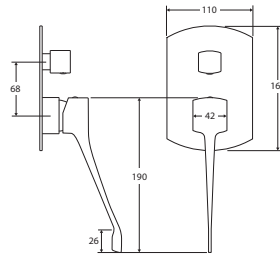
- Long handle for easy reach and operation
- Designed for shower and bath
- WELS rating not required



KOKO® CARE WALL DIVERTER MIXER

Chrome \$269 • 218102D
 Matte Black \$365 • 218102BD

- Long handle for easy reach and operation
- Designed for shower and bath
- WELS rating not required



Accessible Compliant Showers

LUCIANA® CARE INVERTED T RAIL SHOWER WITH PUSH/PULL SLIDER

Left Hand \$449* • 444113LH-P

Right Hand \$449* • 444113RH-P

*GST Exempt

WELS 3 Star rated, 9L/min

- Can be installed for AS1428.1 Accessible Compliance
- Electroplated chrome finish

Rail:

- Backflow prevention dual check/non-return valve
- Made from stainless steel
- Deluxe stainless steel elbow
- 1.5 metre stainless steel hose

Push/Pull Shower Slider (MST119):

- Smooth sliding action to easily adjust height and angle of hand shower
- Self-locking
- Ergonomic easy grip handle with 383 mm length for easy access by seated users
- Suits 32 mm diameter rail
- Made from solid brass

LUCIANA/KAYA Hand Piece (MSH115):

- Single water-flow setting
- Easy to clean TPR nozzles
- Made from ABS



NEW



Accessible
Compliant

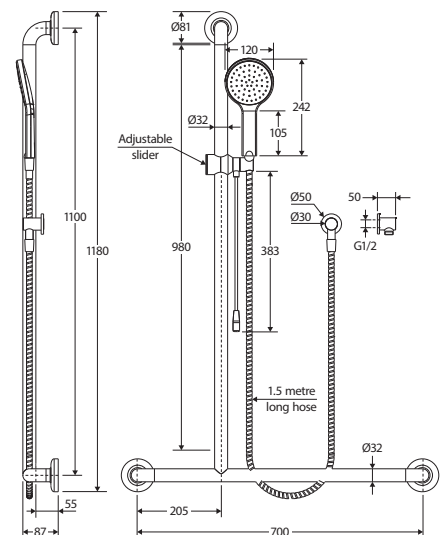


Right Hand

Left Hand

AS1428.1 TIP

To ensure compliance, some installations require a Shower Hose Restrictor Bracket to prevent the shower head from reaching the toilet. See page 32.



HUSTLE CARE INVERTED T RAIL SHOWER WITH PUSH/PULL SLIDER

Left Hand \$760* • 444113BLH-P
Right Hand \$760* • 444113BRH-P
*GST Exempt

WELS 3 Star rated, 9L/min

- Can be installed for AS1428.1 Accessible Compliance
- Electroplated matte black finish

Rail:

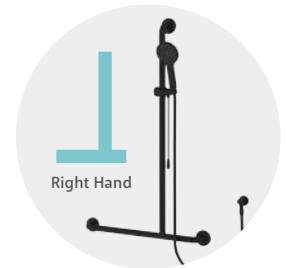
- Backflow prevention dual check/non-return valve
- Made from stainless steel
- Deluxe stainless steel elbow
- 1.5 metre matte black PVC hose

Push/Pull Shower Slider (MST119B):

- Smooth sliding action to easily adjust height and angle of hand shower
- Self-locking
- Ergonomic easy grip handle with 383 mm length for easy access by seated users
- Suits 32 mm diameter rail
- Made from solid brass

LUCIANA/KAYA Hand Piece (MSH115B):

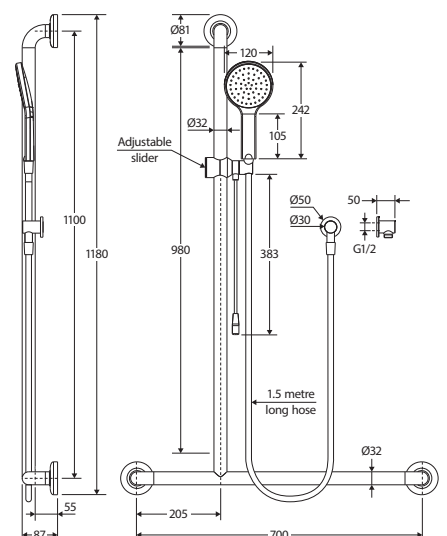
- Single water-flow setting
- Easy to clean TPR nozzles
- Made from ABS



Accessible Compliant



Find our LUCIANA Shower Seat on page 35



STELLA CARE RAIL SHOWER WITH PUSH/PULL SLIDER

\$330* • 444112-P

*GST Exempt

WELS 3 Star rated, 9L/min

- Can be installed for AS1428.1 Accessible Compliance
- Electroplated chrome finish

Rail:

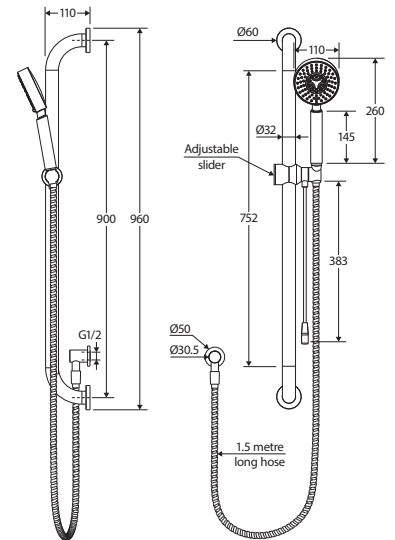
- Backflow prevention dual check/non-return valve
- Made from stainless steel
- Deluxe stainless steel elbow
- 1.5 metre stainless steel hose

Push/Pull Shower Slider (MST119):

- Smooth sliding action to easily adjust height and angle of hand shower
- Self-locking
- Ergonomic easy grip handle with 383 mm length for easy access by seated users
- Suits 32 mm diameter rail
- Made from solid brass

Michelle Multifunction Hand Piece (MSH017):

- Five water-flow settings: normal, massage, misting, spray and massage, and spray and misting
- Easy to clean TPR nozzles
- Made from ABS



Accessible Compliant

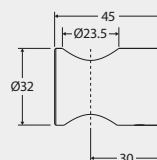


SHOWER HOSE RESTRICTOR BRACKET

Chrome \$54 • MST120

Matte Black \$70 • MST120B

- Used for AS1428.1 Accessible compliance to prevent handheld shower head from reaching the toilet
- Restricts the movement of the shower hose
- Wall-mounted
- Suits all Fienza shower hoses
- Made from solid brass

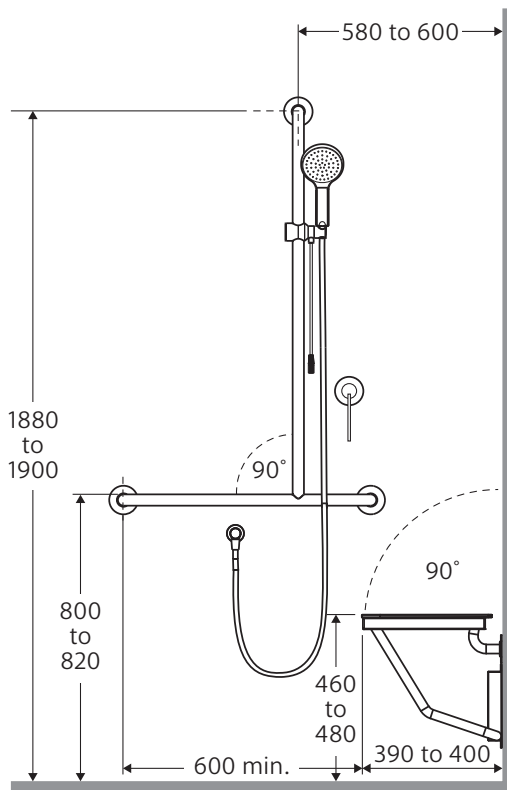


Installation Guide

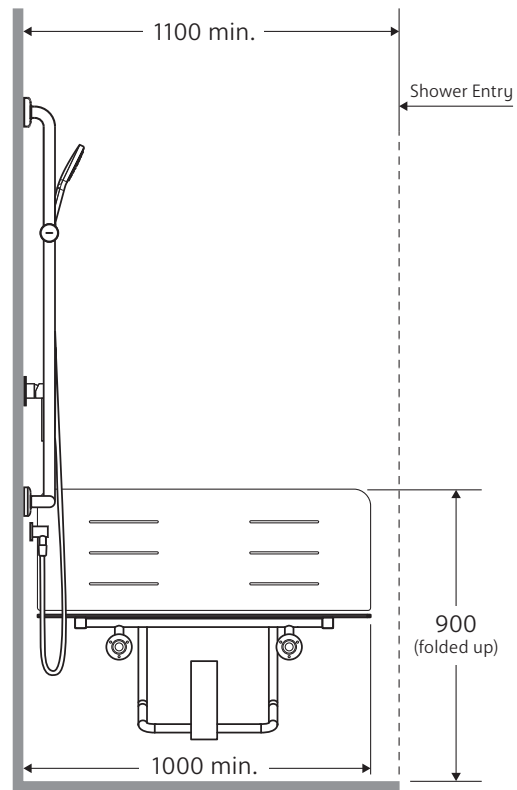
AS1428.1 ACCESSIBLE COMPLIANT SHOWER INSTALLATION GUIDE



IMPORTANT: This information is supplied as a brief guide only and is based on AS1428.1:2021. For more detailed information, please refer to AS1428.1:2021. Independent assessment and approval must be undertaken by suitably qualified consultants to ensure compliance with the Australian Standards and any applicable building codes.



FRONT VIEW



SIDE VIEW



Showers for *Assisted* Living

LUCIANA® CARE INVERTED T RAIL SHOWER

Left Hand

\$449 • 444113LH

Right Hand

\$449 • 444113RH

WELS 3 Star rated, 9L/min

- Electroplated chrome finish

Rail:

- Slider to adjust height and angle of hand shower
- Backflow prevention dual check/non-return valve
- Made from lead-free stainless steel
- ABS slider
- Deluxe stainless steel elbow
- 1.5 metre stainless steel hose

LUCIANA/KAYA Hand Piece (MSH115):

- Single water-flow setting
- Easy to clean TPR nozzles
- Made from ABS



Left Hand

HUSTLE CARE INVERTED T RAIL SHOWER

Left Hand

\$699 • 444113BLH

Right Hand

\$699 • 444113BRH

WELS 3 Star rated, 9L/min

- Electroplated matte black finish

Rail:

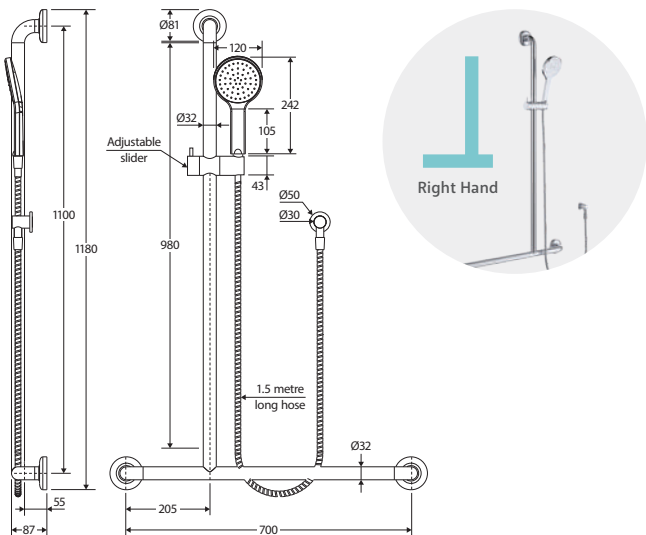
- Slider to adjust height and angle of hand shower
- Made from lead-free stainless steel
- ABS slider and wall mounts
- Deluxe stainless steel elbow
- 1.5 metre PVC hose

KAYA Hand Piece (MSH115B):

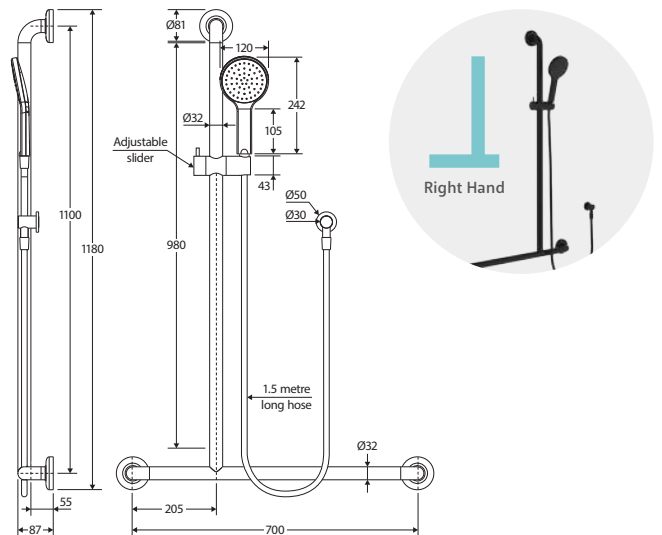
- Single water-flow setting
- Easy to clean TPR nozzles
- Made from ABS



Left Hand



Right Hand



Right Hand

STELLA CARE RAIL SHOWER

\$290* • 444112

WELS 3 Star rated, 9L/min

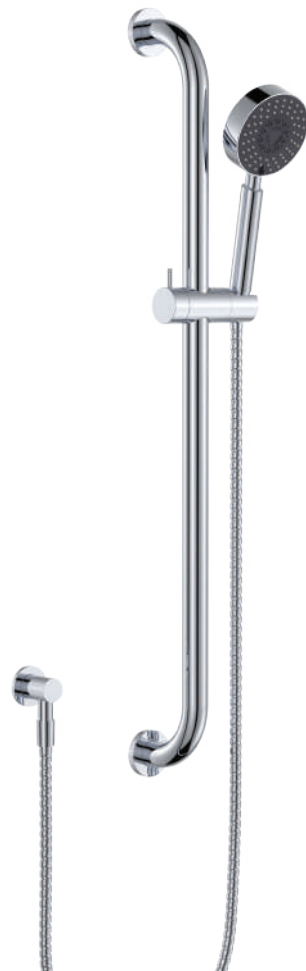
- Electroplated chrome finish

Rail:

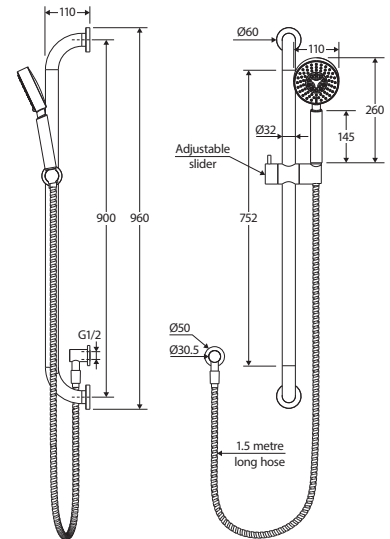
- Slider to adjust height and angle of hand shower
- Made from lead-free stainless steel
- ABS slider and wall mounts
- Deluxe stainless steel elbow
- 1.5 metre stainless steel hose

Michelle Multifunction Hand Piece (MSH017):

- Five water-flow settings: normal, massage, misting, spray and massage, and spray and misting
- Easy to clean TPR nozzles
- Made from ABS



Find matching grab rails on pages 20-21



LUCIANA® CARE SHOWER SEAT

\$580* • 202099

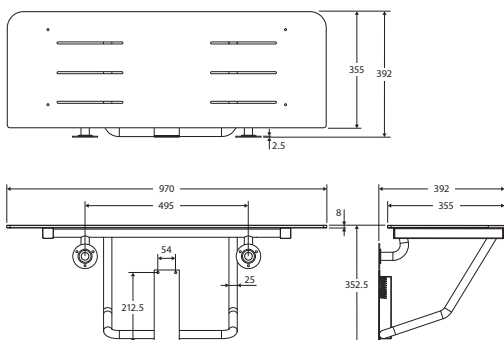
*GST Exempt

- Can be installed for AS1428.1 Accessible Compliance
- Folds up against the wall for easy access
- White solid phenolic seat with slip resistant finish, rounded edges and draining channels
- Frame made from 304 stainless steel
- Mounting screws included
- Maximum load rating: 150kg

*GST exempt



Accessible
Compliant





fienza®

Beautiful, quality
Bathware

At Fienza our core passion is to excite you with new, innovative and cutting-edge designer products.

Our commitment to international quality standards has ensured that Fienza continues to be the preferred choice for beautiful bathrooms and kitchens all over Australia.

Fienza® products are available through all leading bathroom, kitchen and plumbing retailers.

For more information, contact us or visit our website:

P (07) 3490 6700

E info@fienza.com.au

www.fienza.com.au

Retailer/Distributor: